

PAPER • OPEN ACCESS

## Extreme on-demand contactless modulation of elastic properties in magnetostrictive lattices

To cite this article: A Singh *et al* 2022 *Smart Mater. Struct.* **31** 125005

View the [article online](#) for updates and enhancements.

You may also like

- [Theoretical analyses of magnetoelectric effects for magnetostrictive/radial mode piezoelectric transformer composite under dual ac stress and magnetic field modulation](#)  
Ning Xiao, Yao Wang, Lei Chen et al.
- [Analysis of energy conversion capability among various magnetostrictive materials for energy harvesting](#)  
Yuanyuan Liu, Mickael Lallart, Benjamin Ducharme et al.
- [Vibration of magnetostrictive composite cantilever actuator](#)  
Yan Xu and Xinchun Shang

# Extreme on-demand contactless modulation of elastic properties in magnetostrictive lattices

A Singh<sup>1</sup> , T Mukhopadhyay<sup>2</sup> , S Adhikari<sup>3</sup>  and B Bhattacharya<sup>1,\*</sup> 

<sup>1</sup> Department of Mechanical Engineering, Indian Institute of Technology Kanpur, Kanpur, India

<sup>2</sup> Department of Aerospace Engineering, Indian Institute of Technology Kanpur, Kanpur, India

<sup>3</sup> James Watt School of Engineering, University of Glasgow, Glasgow, United Kingdom

E-mail: [bishakh@iitk.ac.in](mailto:bishakh@iitk.ac.in)

Received 25 July 2022, revised 22 September 2022

Accepted for publication 21 October 2022

Published 4 November 2022



CrossMark

## Abstract

2D lattices are widely popular in micro-architected metamaterial design as they are easy to manufacture and provide lightweight multifunctional properties. The mechanical properties of such lattice structures are predominantly an intrinsic geometric function of the microstructural topology, which are generally referred to as passive metamaterials since there is no possibility to alter the properties after manufacturing if the application requirement changes. A few studies have been conducted recently to show that the active modulation of elastic properties is possible in piezoelectric hybrid lattice structures, wherein the major drawback is that complicated electrical circuits are required to be physically attached to the micro-beams. This paper proposes a novel hybrid lattice structure by incorporating magnetostrictive patches that allow contactless active modulation of Young's modulus and Poisson's ratio as per real-time demands. We have presented closed-form expressions of the elastic properties based on a bottom-up approach considering both axial and bending deformations at the unit cell level. The generic expressions can be used for different configurations (both unimorph or bimorph) and unit cell topologies under variable vertical or horizontal magnetic field intensity. The study reveals that extreme on-demand contactless modulation including sign reversal of Young's modulus and Poisson's ratio (such as auxetic behavior in a structurally non-auxetic configuration, or vice-versa) is achievable by controlling the magnetic field remotely. Orders of difference in the magnitude of Young's modulus can be realized actively in the metamaterial, which necessarily means that the same material can behave both like a soft polymer or a stiff metal depending on the functional demands. The new class of active mechanical metamaterials proposed in this article will bring about a wide variety of design and application paradigms in the field of functional materials and structures.

\* Author to whom any correspondence should be addressed.



Original Content from this work may be used under the terms of the [Creative Commons Attribution 4.0 licence](https://creativecommons.org/licenses/by/4.0/). Any further distribution of this work must maintain attribution to the author(s) and the title of the work, journal citation and DOI.

Supplementary material for this article is available [online](#)

Keywords: magnetostrictive metamaterials, active honeycomb lattices, elastic properties of lattices, negative Young's modulus, Poisson's ratio, hybrid magnetostrictive honeycomb, multi-physical property modulation

(Some figures may appear in colour only in the online journal)

## 1. Introduction

The microstructural geometry of 2D lattices plays a vital role in determining the mechanical properties of the entire structure, and such systems can be constructed by repeating a unit cell periodically. Over the past few years, various shapes and topologies (triangular, Kagome, hexagonal, N-Kagome, foam structures, origami, star-shaped, chiral, square and other tailor-made geometries) of such lattice structures have been studied to understand the variation in the effective mechanical properties as the microstructure of the lattice changes (Lakes 1987, Grima *et al* 2000, Song *et al* 2008, Zhang *et al* 2008, Schenk and Guest 2013, Bückmann *et al* 2014, Shan *et al* 2015, Li *et al* 2019, Bacigalupo and Gambarotta 2020, Wei *et al* 2020, Huang *et al* 2021, Qi *et al* 2021, Xu *et al* 2021). These artificially engineered metastructures (often referred to as metamaterials) have a wide range of applications in the field of vibration and wave propagation, multi-functional modulation of static deformations, impact resistance, indentation, stability control and programmable shape modulation (Fleck *et al* 2010, Mukhopadhyay *et al* 2019, Du *et al* 2021). In this paper, we deal with the contactless active modulation of elastic properties that in turn influence such applications.

Young's modulus and Poisson's ratio of lattice structures have gained significant attention from the scientific community since these properties play a central role in a range of aforementioned mechanical applications. Recent studies have concluded that few geometries exhibit positive, negative, and zero Poisson's ratios, including extreme values and mixed mode (Olympio and Gandhi 2010, Attard and Grima 2011, Gong *et al* 2015, Chen *et al* 2018, Huang *et al* 2018, Wang 2019, Gaal *et al* 2020, Wang *et al* 2020). The main drawback of such lattices is that the elastic properties are a function of only geometric entities; hence upon manufacturing, it is not possible to change them, and due to this, the application of such lattices is limited to passive applications only. Here, we provide a brief literature review of such passive lattices. Closed-form analytical expressions for equivalent elastic moduli of 2D planar cellular materials have been studied extensively as it is computationally efficient and provides necessary physical insights (Abd El-Sayed *et al* 1979, Zhang and Ashby 1992, Masters and Evans 1996, Gibson and Ashby 1999, Malek and Gibson 2015, Mancusi *et al* 2017). Different methodologies have been adopted to determine the elastic properties, i.e. considering only the bending deformation of the cell walls (Gibson and Ashby 1999, Singh *et al* 2021) and considering both axial and bending deformation of the cell walls (Adhikari *et al* 2020, Prajwal *et al*

2022, Singh *et al* 2022). Some of these works have also accounted for shear deformation, which is more effective in the case of thick-walled lattices with higher specific densities. For passive lattice structures, the elastic properties are an intrinsic function of geometric properties and it is widely known in hexagonal lattices that Poisson's ratio (Evans 1991, Harkati *et al* 2017, Srivastava and Bhattacharya 2020) is positive when the cell angle (refer to figure 1(b) for the definition of cell angle) is positive and negative when the cell angle is negative (auxetic structure). Recent studies in the area of passive lattice metamaterials include a novel concept of anti-curvature (Ghuku and Mukhopadhyay 2022), chiral, anti-chiral (Mousanezhad *et al* 2016) and various hierarchical microstructures (Kagome honeycomb, Kagome honeycomb triangular, Hierarchical re-entrant honeycomb, Double arrow head) (Wang *et al* 2021, Dudek *et al* 2022, Xu *et al* 2022, Zhan *et al* 2022, Zhang *et al* 2022), 3D lattices with multi-directional auxeticity (Mukhopadhyay and Kundu 2022) and multi-material microstructures (Mukhopadhyay *et al* 2020).

Unlike passive lattice metamaterials, as investigated in the majority of the literature in this field, the effective elastic properties of active lattice materials can be modulated as a function of external stimuli. In such hybrid (piezoelectric) lattice structures, the dependency of Young's modulus ( $E_1$ ,  $E_2$ ) and Poisson's ratio ( $\nu_{12}$ ,  $\nu_{21}$ ) (Singh *et al* 2021, 2022) on voltage have been obtained in the literature by using two methodologies (considering only bending deformation, and considering both axial and bending deformations). It has been found that Poisson's ratios emerge to be a function of voltage only when both axial and bending deformations are considered, whereas Young's modulus is voltage-dependent in both the methodologies. In this context, Adhikari *et al* (2020) reported the uncommon negative values of transverse and longitudinal Young's modulus under dynamic conditions. Recent literature of Singh *et al* (2021, 2022) shows that negative Young's modulus is achievable under static conditions in piezoelectric lattices. However, the main drawback of the piezoelectric hybrid lattice structures is that numerous complex electric circuit connections need to be established to observe the desired effect. To overcome such lacuna, we propose simpler contactless multi-physical effects in lattice materials by applying a magnetic field and exploiting the magnetostrictive constitutive behavior of active materials.

The incorporation of magnetostrictive patches with passive substrate beams in lattice design can lead to extreme on-demand modulation of effective elastic properties in a contactless setup. Magnetostrictive materials, which we aim to use as an intrinsic material in the hybrid lattices, belong to

the class of smart materials that show dimensional changes under the influence of a magnetic field and also depicts the converse effect of change in magnetization under the influence of externally applied stresses (Quandt and Seemann 1995, Bhattacharya and Murty 1996, Body et al 1997, Si and Cho 2004, Ghosh and Gopalakrishnan 2005, Chopra and Sirohi 2013, Sheikholeslami et al 2017, Xu and Shang 2019, Amiri et al 2020). Grima et al (2013) and Galea et al (2022) experimentally demonstrated the variation in mechanical properties by incorporating magnetic inserts/inclusions over the inclined cell walls of the lattice structure. Montgomery et al (2021) studied the modulation of attenuation band gap as externally applied magnetic field varies. In the current paper, a generalized unit cell-based formulation would be presented that can be adopted for different unimorph or bimorph configurations by including the effect of the axial and bending deformations. The capability of contactless on-demand modulation of Young's moduli and Poisson's ratios (including extreme attributes like sign-reversal) will be numerically demonstrated considering different microstructural configurations and the intensity of the external magnetic field. Hereafter in this paper, section 2 presents the modeling of the hybrid beam along with the validation against the available literature; section 3 presents the derived expressions for Young's modulus and the Poisson's ratio; section 4 of this paper provides critical insights into the active modulation of Poisson's ratios and Young's moduli; the concluding remarks have been presented in section 6.

## 2. Beam-level multi-physical deformation mechanics

### 2.1. Modeling of hybrid magnetostrictive beam

Hybrid beams comprised of a passive substrate and surface mounted magnetostrictive patch(es) with desired magnetostrictive constant (positive/negative as per the application requirement) are adopted as the elementary component of the active hybrid lattice, as shown in figure 1. The beams have been assumed to be Euler Bernoulli beam with the consideration of thin cell walls. The displacement of the hybrid beam in  $x$ - $z$  plane can be represented as

$$u(x, z, t) = u^0(x, t) - zw_{,x}^0(x, t) \quad (1)$$

$$w(x, t) = w^0(x, t) \quad (2)$$

From equations (1) and (2) we can write the strains in  $x$  and  $z$  directions as

$$\epsilon_x = \frac{\partial u^0(x, t)}{\partial x} - z \frac{\partial^2 w^0(x, t)}{\partial x^2}, \quad \epsilon_z = 0 \quad (3)$$

The stress (Chopra and Sirohi 2013) in the substrate beam and the magnetostrictive patch (top and bottom) can be given as

$$\sigma_s = Y_s \epsilon_x \quad (4)$$

$$\sigma_m = Y_m \epsilon_x - Y_m dH \quad (5)$$

Here,  $Y_s$  and  $Y_m$  are Young's modulus of the substrate beam and magnetostrictive patch, respectively. The magnetostrictive constant is  $d$ , and  $H$  is the applied magnetic field intensity.

The total potential energy of the hybrid beam can be given as the sum of the potential energy of the substrate beam and the magnetostrictive patch.

$$U_c = \frac{1}{2} \left( \int_{V_s} \sigma_s \epsilon_x dV_s + \int_{V_m} \sigma_m \epsilon_x dV_m \right) \quad (6)$$

Substituting the equations from equations (4) and (5) in equation (6) we get

$$U_c = \frac{1}{2} \left( \int_{V_s} Y_s \epsilon_x^2 dV_s + \int_{V_m} (Y_m \epsilon_x^2 - Y_m dH \epsilon_x) dV_m \right) \quad (7)$$

To derive a more general expression, total volume of the magnetostrictive patches can be written as the sum of top and bottom layers i.e.  $V_m = V_{m_t} + V_{m_b}$  (here,  $b$  and  $t$  stand for top and bottom magnetostrictive films respectively). Equation (7) can be extended to equation (8) as

$$\begin{aligned} U_c = \frac{1}{2} \int_0^L \left( Y_s \left( A_s (u_{,x}^0)^2 + I_s (w_{,xx}^0)^2 - 2H_s u_{,x}^0 w_{,xx}^0 \right) \right. \\ + Y_{m_t} \left( A_{m_t} (u_{,x}^0)^2 + I_{m_t} (w_{,xx}^0)^2 - 2H_{m_t} u_{,x}^0 w_{,xx}^0 \right) \\ + Y_{m_b} \left( A_{m_b} (u_{,x}^0)^2 + I_{m_b} (w_{,xx}^0)^2 - 2H_{m_b} u_{,x}^0 w_{,xx}^0 \right) \\ - Y_{m_t} (A_{m_t} d_t H u_{,x}^0 - H_{m_t} d_t H w_{,xx}^0) \\ \left. - Y_{m_b} (A_{m_b} d_b H u_{,x}^0 - H_{m_b} d_b H w_{,xx}^0) \right) dx \quad (8) \end{aligned}$$

Here,  $A_s, H_s, I_s, A_{m_t}, H_{m_t}, I_{m_t}, A_{m_b}, H_{m_b}, I_{m_b}$  are given as (for any point along the beam length)

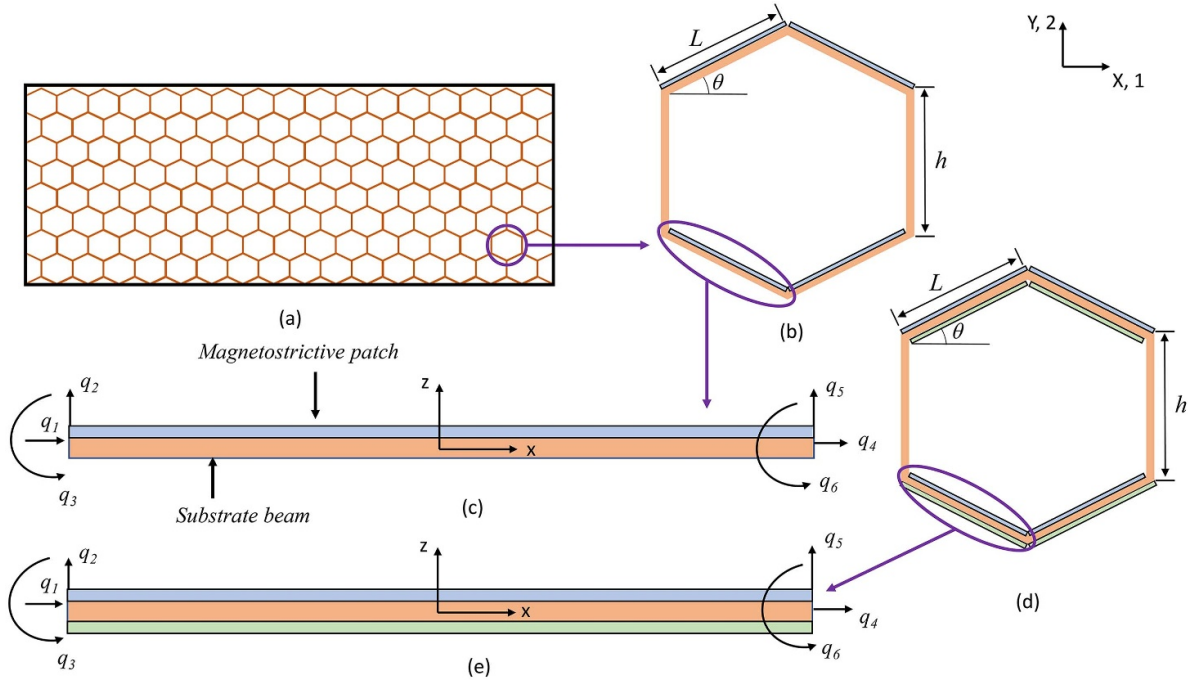
$$(A_s, H_s, I_s) = \iint_s (1, z, z^2) dydz,$$

$$(A_{m_t}, H_{m_t}, I_{m_t}) = \iint_m (1, z, z^2) dydz \quad (9)$$

$$(A_{m_b}, H_{m_b}, I_{m_b}) = \iint_m (1, z, z^2) dydz$$

Magnetic Energy (Xu and Shang 2019) can be given as

$$\begin{aligned} U_m &= \frac{W_s}{2} \int_0^L \int_{\frac{T_s}{2}}^{T_{m_t}} B H dz dx \\ &= \frac{W_s}{2} \int_0^L \int_{\frac{T_s}{2}}^{T_{m_t}} \mu H^2 dz dx \\ &= \frac{W_s}{2} \int_0^L \mu \left( T_{m_t} - \frac{T_s}{2} \right) H^2 dx \quad (10) \end{aligned}$$



**Figure 1.** Magnetostrictive lattice microstructures for contactless active modulation. (a) The representation of honeycomb lattice structure in the  $X$ – $Y$  (or 1–2) plane. (b), (d) Detailed view of the unit cell of a hybrid honeycomb lattice (unimorph and bimorph configurations). (c), (e) The degrees of freedom (DOF) for the inclined cell wall (i.e. hybrid beam having unimorph and bimorph configurations) with magnetostrictive patch attached. Here, different colors in the bimorph beam (blue and green) represent the magnetostrictive patches having different material properties. Following a bottom-up framework, the stiffness matrix of the hybrid beam is used here to determine the deformation behavior of the unit cell. To derive the analytical formulation of the hybrid beam, a local coordinate system ( $x, z$ ) has been taken, wherein the direction  $x$  is along the beam length.  $X, Y$  represent the global coordinate system. Here,  $q_1, q_2, q_3$  and  $q_4, q_5, q_6$  are the DOF at node 1 and node 2 respectively, which relate to  $u_1, w_1, w_{x1}$  and  $u_2, w_2, w_{x2}$ .

Taking the variational form of equations (8) and (10) we get

$$\begin{aligned} \delta U_c = \frac{1}{2} \int_0^L & \left( Y_s (2A_s u_{,x}^0 \delta u_{,x}^0 + 2I_s w_{,xx}^0 \delta w_{,xx}^0 - 2H_s u_{,x}^0 \delta w_{,xx}^0 - 2H_s w_{,xx}^0 \delta u_{,x}^0) \right. \\ & + Y_{m_t} (2A_{m_t} u_{,x}^0 \delta u_{,x}^0 + 2I_{m_t} w_{,xx}^0 \delta w_{,xx}^0 - 2H_{m_t} u_{,x}^0 \delta w_{,xx}^0 - 2H_{m_t} w_{,xx}^0 \delta u_{,x}^0) \\ & + Y_{m_b} (2A_{m_b} u_{,x}^0 \delta u_{,x}^0 + 2I_{m_b} w_{,xx}^0 \delta w_{,xx}^0 - 2H_{m_b} u_{,x}^0 \delta w_{,xx}^0 - 2H_{m_b} w_{,xx}^0 \delta u_{,x}^0) \\ & \left. - Y_{m_t} (A_{m_t} d_t H \delta u_{,x}^0 - H_{m_t} d_t H \delta w_{,xx}^0) - Y_{m_b} (A_{m_b} d_b H \delta u_{,x}^0 - H_{m_b} d_b H \delta w_{,xx}^0) \right) dx \end{aligned} \quad (11)$$

$$\delta U_m = 0 \quad (12)$$

A two node beam element having three degrees of freedom (DOF) (i.e. axial, transverse and rotation) at each node has been considered with a scaled length of 1.

$$\{q\}^t = \{u_1 \ w_1 \ w_{x1} \ u_2 \ w_2 \ w_{x2}\}^t$$

$$\begin{Bmatrix} u^0 \\ w^0 \end{Bmatrix} = \begin{bmatrix} F_1 & 0 & 0 & F_2 & 0 & 0 \\ 0 & H_1 & H_2 & 0 & H_3 & H_4 \end{bmatrix} \{q\}$$

$$u^0 = \{1 \ 0\} \begin{bmatrix} F_1 & 0 & 0 & F_2 & 0 & 0 \\ 0 & H_1 & H_2 & 0 & H_3 & H_4 \end{bmatrix} \{q\}$$

$$w^0 = \{0 \ 1\} \begin{bmatrix} F_1 & 0 & 0 & F_2 & 0 & 0 \\ 0 & H_1 & H_2 & 0 & H_3 & H_4 \end{bmatrix} \{q\}$$

$$u^0 = \{n_1\} [A_q] \{q\} = \{B_1\} \{q\} \quad (13)$$

$$w^0 = \{n_2\} [A_q] \{q\} = \{B_2\} \{q\} \quad (14)$$

Taking variational of the above equations we get

$$\delta u^0 = \{B_1\}\{\delta q\}, \quad \delta w^0 = \{B_2\}\{\delta q\} \quad (15)$$

Differentiating the above equations we get

$$\delta u^0_{,x} = \{B_1\}_{,x}\{\delta q\}, \quad \delta w^0_{,xx} = \{B_2\}_{,xx}\{\delta q\} \quad (16)$$

where,

$$\{B_1\} = \{n_1\}[A_q], \quad \{B_2\} = \{n_2\}[A_q] \quad (17)$$

Shape functions are given by

$$\begin{aligned} F_1 &= 1 - \xi, & F_2 &= \xi, & H_1 &= 1 - 3\xi^2 + 2\xi^3, \\ H_2 &= L(\xi - 2\xi^2 + \xi^3) & H_3 &= 3\xi^2 - 2\xi^3, & & \\ H_4 &= L(-\xi^2 + \xi^3) & & & & \end{aligned} \quad (18)$$

Using the equations (13)–(18) and recalling them in order to solve further, we get

$$\begin{aligned} \delta U_c &= \{\delta q\}^t \left( \left[ \begin{aligned} &(Y_s A_s + Y_{m_t} A_{m_t} + Y_{m_b} A_{m_b}) [M_{11}] \\ &+ (Y_s I_s + Y_{m_t} I_{m_t} + Y_{m_b} I_{m_b}) [M_{22}] \\ &- (Y_s H_s + Y_{m_t} H_{m_t} + Y_{m_b} H_{m_b}) [M_{21}] \\ &- (Y_s H_s + Y_{m_t} H_{m_t} + Y_{m_b} H_{m_b}) [M_{12}] \end{aligned} \right] \{q\} \right. \\ &\quad \left. - (Y_{m_t} A_{m_t} d_t + Y_{m_b} A_{m_b} d_b) H\{M_1\} \right. \\ &\quad \left. + (Y_{m_t} H_{m_t} d_t + Y_{m_b} H_{m_b} d_b) H\{M_2\} \right) \end{aligned} \quad (19)$$

where,

$$\begin{aligned} [M_{11}] &= \int_0^L \{B_{1,x}\}^t \{B_{1,x}\} dx, & [M_{22}] &= \int_0^L \{B_{2,xx}\}^t \{B_{2,xx}\} dx, \\ [M_{12}] &= \int_0^L \{B_{1,x}\}^t \{B_{2,xx}\} dx, & [M_{21}] &= \int_0^L \{B_{2,xx}\}^t \{B_{1,x}\} dx, \\ \{M_1\} &= \int_0^L \frac{\{B_{1,x}\}^t}{2} dx, & \{M_2\} &= \int_0^L \frac{\{B_{2,xx}\}^t}{2} dx, \end{aligned}$$

Using Hamilton's principle and substituting the values from equations (12) and (19) in the following equation

$$\Pi = \int_{t_1}^{t_2} (U_c + U_m) dt \quad (20)$$

$$\int_{t_1}^{t_2} (\delta U_c + \delta U_m) dt = 0. \quad (21)$$

Substituting the expressions from equations (12) and (19) in equation (21), the final form of equilibrium equation can be written as

$$[K] \{q\} = \{F\} \quad (22)$$

the values of  $[K]$  and  $\{F\}$  can be defined as

$$[K] = \begin{bmatrix} (Y_s A_s + Y_{m_t} A_{m_t} + Y_{m_b} A_{m_b}) [M_{11}] \\ + (Y_s I_s + Y_{m_t} I_{m_t} + Y_{m_b} I_{m_b}) [M_{22}] \\ - (Y_s H_s + Y_{m_t} H_{m_t} + Y_{m_b} H_{m_b}) [M_{21}] \\ - (Y_s H_s + Y_{m_t} H_{m_t} + Y_{m_b} H_{m_b}) [M_{12}] \end{bmatrix} \quad (23)$$

$$\{F\} = (Y_{m_t} A_{m_t} d_t + Y_{m_b} A_{m_b} d_b) H\{M_1\} - (Y_{m_t} H_{m_t} d_t + Y_{m_b} H_{m_b} d_b) H\{M_2\} \quad (24)$$

Subsequently, displacements of a beam due to change in the magnetic field intensity can be calculated by solving the following equation

$$\{q\}_{6 \times 1} = [K]_{6 \times 6}^{-1} \{F\}_{6 \times 1}. \quad (25)$$

The beams here (as a part of the lattice) have boundary condition of one end fixed. Accordingly, considering node 1 as fixed, we get that  $u_1$ ,  $w_1$  and  $w_{x1}$  are equal to zero. The expressions of force vector  $\{F\}$  and stiffness matrix  $[K]$  are

$$\{F\} = \begin{Bmatrix} -F_{m_t} - F_{m_b} \\ 0 \\ M_{m_t} + M_{m_b} \\ F_{m_t} + F_{m_b} \\ 0 \\ -M_{m_t} - M_{m_b} \end{Bmatrix} \quad (26)$$

the expressions of  $F_{m_t}$ ,  $F_{m_b}$ ,  $M_{m_t}$  and  $M_{m_b}$  are given as

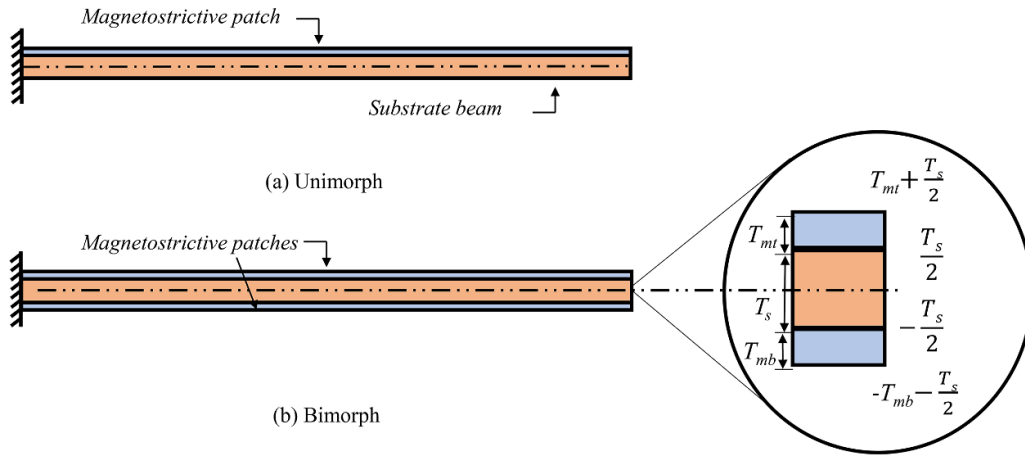
$$\begin{aligned} F_{m_t} &= \frac{Y_{m_t} A_{m_t} d_t H}{2}, & F_{m_b} &= \frac{Y_{m_b} A_{m_b} d_b H}{2}, \\ M_{m_t} &= \frac{Y_{m_t} H_{m_t} d_t H}{2}, & M_{m_b} &= \frac{Y_{m_b} H_{m_b} d_b H}{2} \end{aligned} \quad (27)$$

$$[K] = \begin{bmatrix} A & 0 & -B & -A & 0 & B \\ 0 & 12C & 6CL & 0 & -12C & 6CL \\ -B & 6CL & 4CL^2 & B & -6CL & 2CL^2 \\ -A & 0 & B & A & 0 & -B \\ 0 & -12C & -6CL & 0 & 12C & -6CL \\ B & 6CL & 2CL^2 & -B & -6CL & 4CL^2 \end{bmatrix} \quad (28)$$

the expressions of  $A$ ,  $B$  and  $C$  are given as

$$\begin{aligned} A &= \frac{Y_s A_s + Y_{m_t} A_{m_t} + Y_{m_b} A_{m_b}}{L}, & B &= \frac{Y_s H_s + Y_{m_t} H_{m_t} + Y_{m_b} H_{m_b}}{L} \\ C &= \frac{Y_s I_s + Y_{m_t} I_{m_t} + Y_{m_b} I_{m_b}}{L^3} \end{aligned} \quad (29)$$

the expressions of the dimensional constants like  $A_{m_t}$ ,  $A_{m_b}$ ,  $A_s$ ,  $H_{m_t}$ ,  $H_{m_b}$ ,  $H_s$ ,  $I_{m_t}$ ,  $I_{m_b}$  and  $I_s$  are discussed in the following subsection.



**Figure 2.** Mechanics of element-level magnetostrictive hybrid beams. Unimorph and bimorph configurations, having single and double magnetostrictive patches, respectively. The limits required to determine the constants for the unimorph and bimorph configurations have been marked from the geometric center as shown in (b).

2.2. Determination of the beam constants

The constants used in the formulation provided in the preceding subsection are determined here. The detailed view showing the integration limits used to obtain the constants are taken from the neutral axis, which has been assumed to be at the center of the beam (refer to figure 2).

2.2.1. Substrate beam. Area of the beam is given as

$$A_s = \int_0^{W_s} \int_{-\frac{T_s}{2}}^{\frac{T_s}{2}} dydz = W_s T_s. \tag{30}$$

First moment of area is given as

$$H_s = \int_0^{W_s} \int_{-\frac{T_s}{2}}^{\frac{T_s}{2}} z dydz = \frac{W_s}{2} \left( \left( \frac{T_s}{2} \right)^2 - \left( -\frac{T_s}{2} \right)^2 \right) = 0. \tag{31}$$

Second moment of area is given as

$$I_s = \int_0^{W_s} \int_{-\frac{T_s}{2}}^{\frac{T_s}{2}} z^2 dydz = \frac{W_s}{3} \left( \left( \frac{T_s}{2} \right)^3 - \left( -\frac{T_s}{2} \right)^3 \right) = \frac{W_s T_s^3}{12}. \tag{32}$$

2.2.2. Magnetostrictive patch in unimorph configuration.

Area of magnetostrictive patch is given as

$$A_{m_t} = \int_0^{W_{m_t}} \int_{\frac{T_s}{2}}^{\frac{T_s}{2} + T_{m_t}} dydz = W_{m_t} T_{m_t}. \tag{33}$$

First moment of area is given as

$$H_{m_t} = \int_0^{W_{m_t}} \int_{\frac{T_s}{2}}^{\frac{T_s}{2} + T_{m_t}} z dydz = \frac{W_{m_t}}{2} (T_s T_{m_t} + T_{m_t}^2). \tag{34}$$

Second moment of area is given as

$$I_{m_t} = \int_0^{W_{m_t}} \int_{\frac{T_s}{2}}^{\frac{T_s}{2} + T_{m_t}} z^2 dydz = \frac{W_{m_t}}{3} \left( T_{m_t}^3 + \frac{3}{2} T_{m_t}^2 T_s + \frac{3}{4} T_{m_t} T_s^2 \right). \tag{35}$$

2.2.3. Magnetostrictive patch in bimorph configuration.

Areas for top and bottom magnetostrictive patches are given as

$$A_{m_t} = \int_0^{W_{m_t}} \int_{\frac{T_s}{2}}^{\frac{T_s}{2} + T_{m_t}} dydz = W_{m_t} T_{m_t}, \tag{36}$$

$$A_{m_b} = \int_0^{W_{m_b}} \int_{-\frac{T_s}{2} - T_{m_b}}^{-\frac{T_s}{2}} dydz = W_{m_b} T_{m_b}$$

First moment of areas for top and bottom magnetostrictive patches are given as

$$H_{m_t} = \int_0^{W_{m_t}} \int_{\frac{T_s}{2}}^{\frac{T_s}{2} + T_{m_t}} z dydz = \frac{W_{m_t}}{2} (T_{m_t}^2 + T_s T_{m_t})$$

$$H_{m_b} = \int_0^{W_{m_b}} \int_{-\frac{T_s}{2} - T_{m_b}}^{-\frac{T_s}{2}} z dydz = \frac{-W_{m_b}}{2} (T_{m_b}^2 + T_s T_{m_b}). \tag{37}$$



**Table 1.** Details of the dimensions and material properties used to validate the current analytical framework. Dimensions and material properties (Ghosh and Gopalakrishnan 2005) of the substrate beam and the magnetostrictive patches used to validate the response of the multilayered hybrid beam with the existing literature.

Parameter	Dimensions
Magnetostrictive patch length (m)	0.5
Magnetostrictive patch width (m)	0.05
Magnetostrictive patch thickness (m)	$1.5 \times 10^{-4}$
Magnetostrictive constant $d$ ( $\text{m A}^{-1}$ )	$15 \times 10^{-9}$
Young's modulus of magnetostrictive patch ( $\text{N m}^{-2}$ )	$30 \times 10^9$
Substrate beam length (m)	0.5
Substrate beam width (m)	0.05
Substrate beam thickness (m)	$1.5 \times 10^{-4}$
Young's modulus of substrate beam ( $Y_{s1}$ in direction 1) ( $\text{N m}^{-2}$ )	$181 \times 10^9$
Young's modulus of substrate beam ( $Y_{s2}$ in direction 2) ( $\text{N m}^{-2}$ )	$10.3 \times 10^9$
Shear modulus of substrate beam ( $G_{12}$ ) ( $\text{N m}^{-2}$ )	$28 \times 10^9$
Permeability in air ( $\text{H m}^{-1}$ )	$400\pi \times 10^{-9}$

Second moment of areas for top and bottom magnetostrictive patches are given as

$$I_{m_t} = \int_0^{W_{m_t} \frac{T_s}{2} + T_{m_t}} \int_{\frac{T_s}{2}}^{T_s} z^2 dy dz = \frac{W_{m_t}}{3} \left( T_{m_t} + \frac{T_s}{2} \right)^3 - \frac{W_{m_t} T_s^3}{24}$$

$$I_{m_b} = \int_0^{W_{m_b} \frac{-T_s}{2}} \int_{-\frac{T_s}{2} - T_{m_b}}^{-\frac{T_s}{2}} z^2 dy dz = \frac{W_{m_b}}{3} \left( T_{m_b} + \frac{T_s}{2} \right)^3 - \frac{W_{m_b} T_s^3}{24}.$$
(38)

### 2.3. Validation of the proposed beam model

A cantilever beam is constructed by considering multiple layers of substrate material (as per the followed literature for validation), and on the top and bottom surface, magnetostrictive patches have been added. Note that we validate the beam-level formulation for a more generalized case of multi-layered substrates that will ensure the accuracy of isotropic single-layer substrate considered throughout the paper otherwise. The dimensions, ply angle and properties of the beam have been mentioned in table 1. The number of coil turns per unit length has been taken to be  $20\,000 \text{ turns m}^{-1}$ , and the static actuation has been analyzed at 1 A DC actuation coil current. The deflections obtained from the proposed model have been compared with the existing literature (Ghosh and Gopalakrishnan 2005), wherein the current results are found to be in good agreement as shown in table 2. As per descriptions in the followed literature for validation, the top magnetostrictive patch has been used as an actuator, whereas the bottom patch acts as a sensor. The values for  $A_m$  and  $H_m$  in the force matrix have been taken from the unimorph configuration as the bottom patch is not contributing to the deformation of the hybrid beam.

**Table 2.** Beam-level validation of the current formulation with existing literature. The comparison of the tip displacement of hybrid beam obtained from the current formulation with existing literature. Here, the subscript represents the number of the substrate and magnetostrictive patches at the top/middle/bottom of the hybrid beam. The ply angle of the substrate beam has been kept equal to  $0^\circ$  and  $90^\circ$ . We have taken such multi-layered configurations as per literature for the sake of validation.

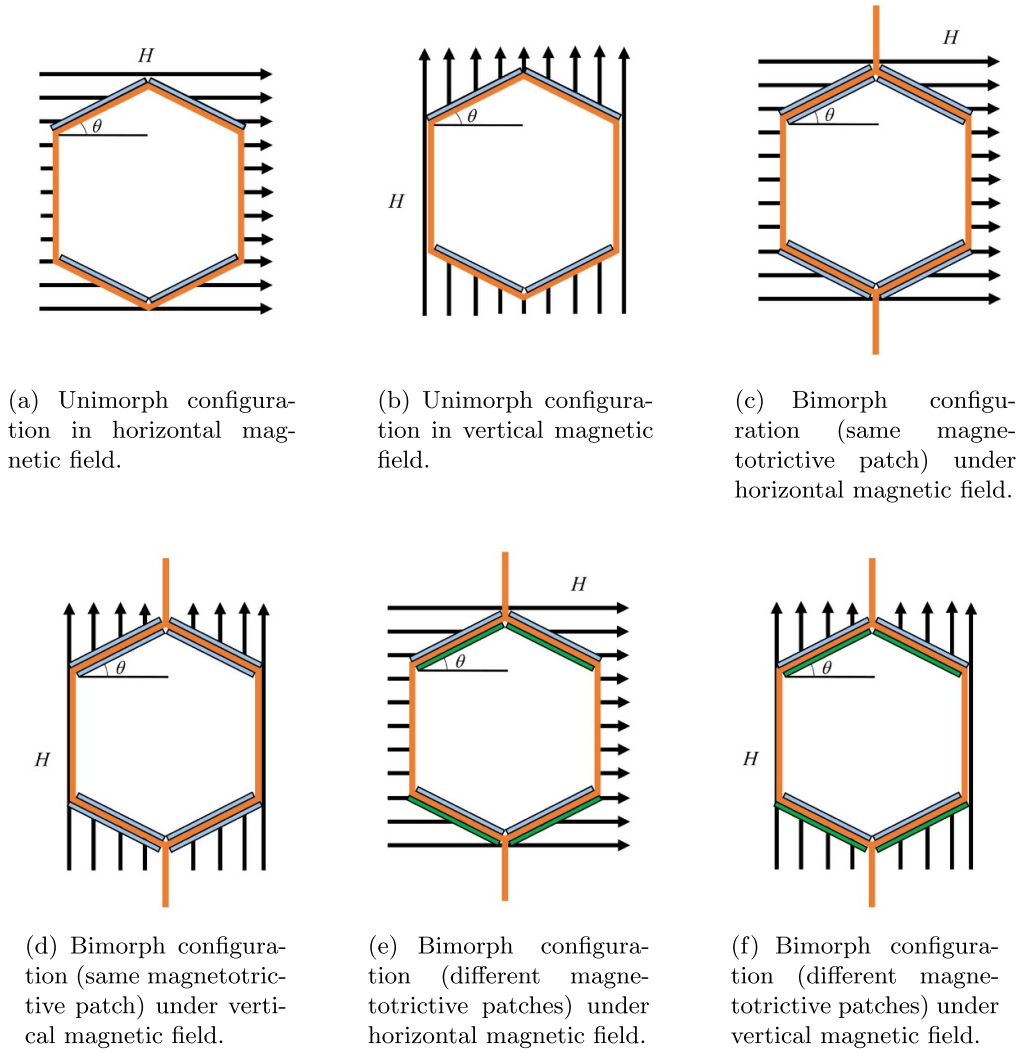
Ply sequence	Current formulation (mm)	Literature (mm)
$[m]/[0]_{10}/[m]$	2.44	2.44
$[m]/[90]_{10}/[m]$	15.40	15.40
$[m]_2/[0]_8/[m]_2$	6.97	6.97
$[m]_2/[90]_8/[m]_2$	21.55	21.56
$[m]_3/[0]_6/[m]_3$	14.38	14.39
$[m]_3/[90]_6/[m]_3$	25.53	25.53
$[m]_4/[0]_4/[m]_4$	23.41	23.41
$[m]_4/[90]_4/[m]_4$	28.47	28.47

### 3. Derivation of lattice-level effective Young's moduli and Poisson's ratios

This section presents a general derivation applicable for both unimorph/bimorph cases under the influence of an external magnetic field and remote stresses applied to the lattice in the horizontal and vertical directions, respectively, as shown in figure 3. The derived expressions accommodate the variation in effective elastic properties of the lattice materials due to change in the external magnetic field. All the vertical cell walls contribute to the total deformation by axial deformation only; there is no possibility of bending deformation of the vertical cell walls in the symmetric unit cells as either the loading is parallel or perpendicular to these vertical cell walls. Moreover, to reduce the complexity of the problem the magnetostrictive patches have been applied to the inclined cell walls only. The displacement of the inclined cell walls has been categorized into two parts, axial and transverse (bending), which occur due to the application of externally applied magnetic field and mechanical stress. The axial and transverse displacements under the applied magnetic field and mechanical stress can be obtained with the help of stiffness matrix given in equation (28) by superimposing the deflections due to the forces from these two components, as shown in figure 5. The magnetic field for the inclined cell walls has been categorized into two parts: parallel to the inclined cell wall and perpendicular to the inclined cell wall. It should be noted that the components of the magnetic field, parallel and perpendicular to the unit cell, act in the opposite manner; i.e. if the magnetostrictive coefficient ( $d$ ) is positive, the parallel component will try to extend the length of the cell wall whereas, the vertical component will try to reduce the length of the cell wall and vice versa. Hence, at a particular angle ( $45^\circ$ ), there will be no influence of the magnetic field on the deformation of the unit cell.

Different configurations of the lattice structure shown in figure 3 deform as a combined effect of deformation under purely mechanical (Gibson and Ashby 1999) and purely magnetic loading (note that we consider only the elastic range of





**Figure 3.** Configurations of honeycomb lattices under different magnetic fields. Unimorph/bimorph configurations under the application of magnetic field in horizontal and vertical direction. Here, blue and green colors represent different magnetotriactive materials. The arrows indicate the direction of the externally applied magnetic fields.

deformation here). The corresponding modes of deformations under pure mechanical stresses and pure magnetic fields are shown in figure 4. Note that the beam-level deformation curves will be opposite under opposite directions of mechanical far-field stress and magnetic field. Final shapes of the deformed configurations under the combined effect of magnetic field and mechanical stress can be obtained by adding the corresponding ordinates of the beam-level deformed shapes based on the intensity and directions of these two components.

### 3.1. Longitudinal Young's modulus $E_1$ and Poisson's ratio $\nu_{12}$

The derivation for  $E_1$  and  $\nu_{12}$  are based on the free body diagram of the unit cell as shown in figure 5(a). For  $E_1$ , the external stress is applied in direction  $X$  (or 1) and the effective deformation of the unit cell is also obtained in the direction  $X$  (or 1). The magnetotriactive patch provides the additional force and moment (highlighted by the golden color in figure 5(a)) under the application of the magnetic field.

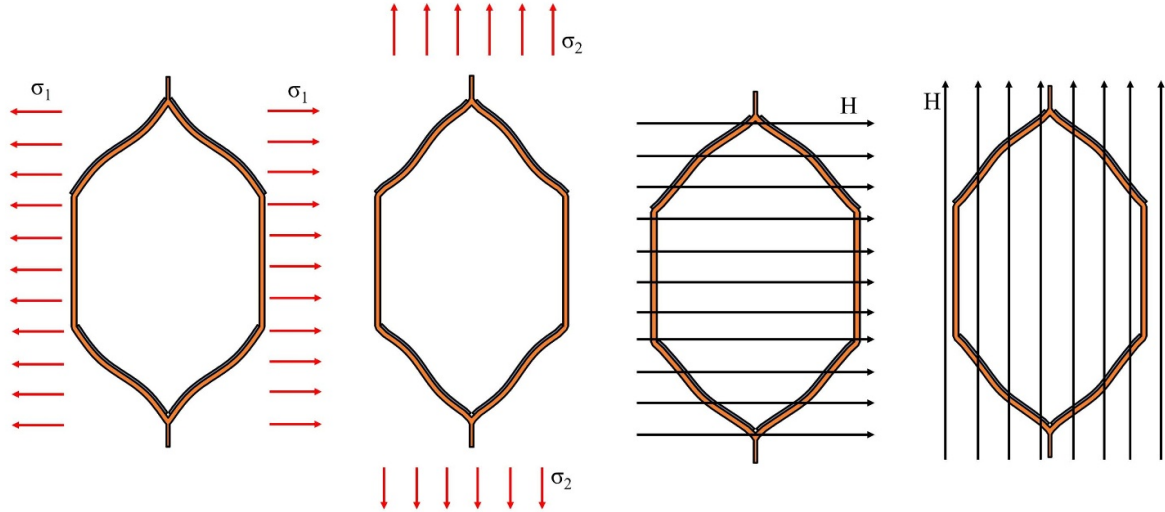
The moment,  $M$  is given as

$$M = \frac{PL \sin \theta}{2}. \quad (39)$$

Axial and transverse displacements in general form under the influence of externally applied stress shown in figure 5(a) can be written as

$$\delta_{ALP}^{(i)} = \frac{PL^2 \cos \theta K_{55}^{(i)}}{L^2 K_{44}^{(i)} K_{55}^{(i)} - 12(K_{46}^{(i)})^2} \quad (40)$$

$$\delta_{TLP}^{(i)} = \frac{P \left( L^2 \sin \theta K_{55}^{(i)} K_{44}^{(i)} + 6L \cos \theta K_{55}^{(i)} K_{46}^{(i)} - 12 \sin \theta (K_{46}^{(i)})^2 \right)}{K_{55}^{(i)} \left( K_{44}^{(i)} K_{55}^{(i)} L^2 - 12(K_{46}^{(i)})^2 \right)} \quad (41)$$



(a) Deformation under the effect of externally applied stress  $\sigma_1$  in direction 1. (b) Deformation under the effect of externally applied stress  $\sigma_2$  in direction 2. (c) Deformation under the application of externally applied magnetic field in horizontal direction. (d) Deformation under the application of externally applied magnetic field in vertical direction.

**Figure 4.** Deformation of the lattice structure under combined loading. (a) and (b) show the deformation of the lattice structure when subjected to only externally applied stress in direction 1 and direction 2 respectively Gibson and Ashby (1999). The lattice structure having different configurations like unimorph\bimorph (with same\different magnetostrictive properties) will deform in a similar manner under magnetic field, as shown in subfigure (c) and (d). However, under the application of the magnetic field the magnitude of the deformation will vary, depending on various parameters like the direction and intensity of the externally applied magnetic field, properties of the magnetostrictive patch(es) and configuration of the honeycomb lattices. The resultant deformation under the combined effect of mechanical loading and magnetic field can be obtained by superimposing the displacements for the respective cases. Note that we have considered the lattice configurations in such as way that the deformation behavior of the two slant members are structurally symmetric.

the above mentioned expressions can also be represented as follows

$$\delta_{ALP}^{(i)} = \frac{\sigma_1 L (\beta + \sin \theta) \cos \theta R_3^{(i)}}{Y_s^{(i)} \gamma (R_1^{(i)} R_3^{(i)} - 3(R_2^{(i)})^2)} \quad (42)$$

$$\delta_{TLP}^{(i)} = \frac{\sigma_1 L (\beta + \sin \theta) (\sin \theta R_1^{(i)} R_3^{(i)} - 3\gamma \cos \theta R_3^{(i)} R_2^{(i)} - 3 \sin \theta (R_2^{(i)})^2)}{\gamma^3 Y_s^{(i)} R_3^{(i)} (R_1^{(i)} R_3^{(i)} - 3(R_2^{(i)})^2)} \quad (43)$$

here,  $t$  and  $b$  in the subscript represent the top and bottom magnetostrictive patches and  $i$  stands for 1, 2 that denote the left and the right cell wall of the unit cell. The expressions of  $P$ ,  $R_1$ ,  $R_2$  and  $R_3$  are given as

$$P = \sigma_1 L (\beta + \sin \theta) W_s \quad (44)$$

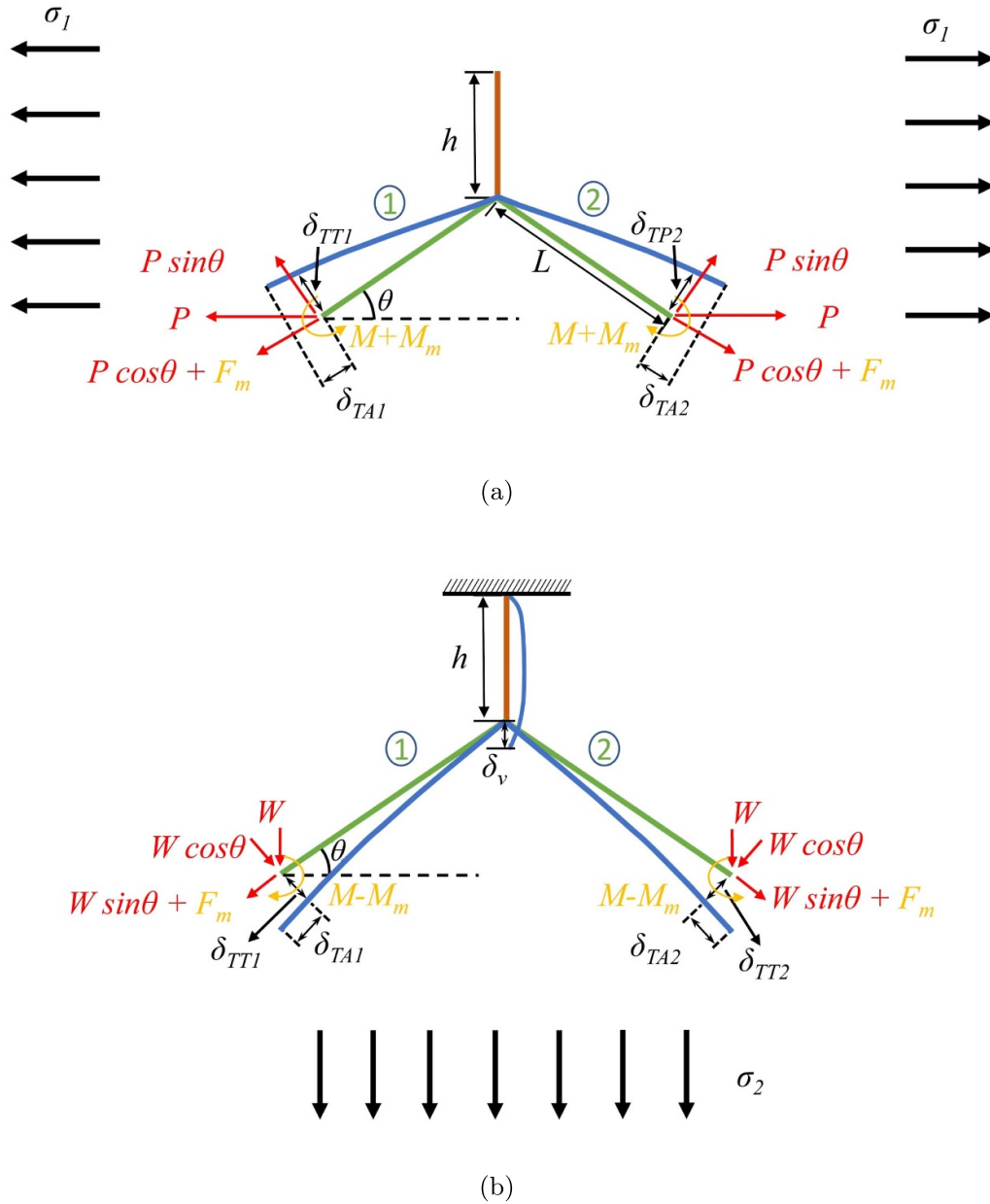
$$R_1^{(i)} = 1 + \kappa_t^{(i)} \alpha_t^{(i)} + \kappa_b^{(i)} \alpha_b^{(i)} \quad (45)$$

$$R_2^{(i)} = \kappa_t^{(i)} ((\alpha_t^{(i)})^2 + \alpha_t^{(i)}) - \kappa_b^{(i)} ((\alpha_b^{(i)})^2 + \alpha_b^{(i)}) \quad (46)$$

$$R_3^{(i)} = 1 + 4\kappa_t^{(i)} ((\alpha_t^{(i)})^3 + 1.5(\alpha_t^{(i)})^2 + 0.75 \alpha_t^{(i)}) + 4 \kappa_b^{(i)} ((\alpha_b^{(i)})^3 + 1.5(\alpha_b^{(i)})^2 + 0.75 \alpha_b^{(i)}) \quad (47)$$

where  $\kappa_t^{(i)} = \frac{Y_{mt}^{(i)}}{Y_s^{(i)}}$ ,  $\kappa_b^{(i)} = \frac{Y_{mb}^{(i)}}{Y_s^{(i)}}$ ,  $\alpha_t^{(i)} = \frac{T_m^{(i)}}{T_s^{(i)}}$ ,  $\alpha_b^{(i)} = \frac{T_{mb}^{(i)}}{T_s^{(i)}}$ . Axial and transverse displacements in general form under the influence of externally applied magnetic field can be obtained from figure 5(a) and can be written as

$$\delta_{AM}^{(i)} = \frac{(F_{m_t}^{(i)} + F_{m_b}^{(i)}) L^2 K_{55}^{(i)} - 12 (M_{m_t}^{(i)} + M_{m_b}^{(i)}) K_{46}^{(i)}}{K_{44}^{(i)} K_{55}^{(i)} L^2 - 12 (K_{46}^{(i)})^2} \quad (48)$$



**Figure 5.** Deformation of a unit cell under remote mechanical stresses and magnetic field. (a) Deformation of the unit cell under the application of the externally applied stress ( $\sigma_1$ ) in X direction and applied magnetic field. The figure shows free-body diagram of the unit cell along with inclined cell walls, which have been used to determine  $E_1$  and  $\nu_{12}$ . (b) Deformation of the unit cell under the application of externally applied stress ( $\sigma_2$ ) in Y direction and applied magnetic field. The figure shows free-body diagram of the unit cell, which has been used to determine  $E_2$  and  $\nu_{21}$ . Here, 1 and 2 represent the left and the right cell wall of the unit cell which can be made of the same or different material. The red color and golden color represent forces generated due to externally applied stress and magnetic field respectively.

$$\delta_{TM}^{(i)} = 6L \left( \frac{K_{46}^{(i)} (F_{m_t}^{(i)} + F_{m_b}^{(i)}) - (M_{m_t}^{(i)} + M_{m_b}^{(i)}) K_{44}^{(i)}}{K_{44}^{(i)} K_{55}^{(i)} L^2 - 12(K_{46}^{(i)})^2} \right) \quad (49)$$

$$\delta_{TM}^{(i)} = \frac{3HLd_t^{(i)}}{2\gamma} \left( \frac{-R_1^{(i)} R_5^{(i)} - R_2^{(i)} R_4^{(i)}}{R_1^{(i)} R_3^{(i)} - 3(R_2^{(i)})^2} \right) \quad (51)$$

$$R_4^{(i)} = (\kappa_t^{(i)} \alpha_t^{(i)} + \kappa_b^{(i)} \alpha_b^{(i)} \lambda^{(i)}) \quad (52)$$

the above mentioned expressions can also be represented as follows

$$\delta_{AM}^{(i)} = \frac{HLd_t^{(i)}}{2} \left( \frac{R_3^{(i)} R_4^{(i)} + 3R_2^{(i)} R_5^{(i)}}{R_1^{(i)} R_3^{(i)} - 3(R_2^{(i)})^2} \right) \quad (50)$$

$$R_5^{(i)} = \kappa_t^{(i)} \left( (\alpha_t^{(i)})^2 + \alpha_t^{(i)} \right) - \kappa_b^{(i)} \lambda^{(i)} \left( (\alpha_b^{(i)})^2 + \alpha_b^{(i)} \right) \quad (53)$$

where  $\lambda^{(i)} = \frac{d_t^{(i)}}{d_b^{(i)}}$ . Total axial deflection under the combined loading of externally applied stress and magnetic field can be

given as the sum of axial displacement due to applied magnetic field and externally applied stress.

$$\delta_{TA}^{(i)} = \delta_{AM}^{(i)} + \delta_{ALP}^{(i)} \quad (54)$$

Similarly, total transverse deflection under the combined loading of externally applied stress and magnetic field can be given as the sum of transverse displacement due to applied magnetic field and externally applied stress.

$$\delta_{TT}^{(i)} = \delta_{TM}^{(i)} + \delta_{TLP}^{(i)} \quad (55)$$

Displacement in direction 1 can be given as

$$\delta_1^{(i)} = \delta_{TA}^{(i)} \cos \theta + \delta_{TT}^{(i)} \sin \theta \quad (56)$$

Similarly, displacement in direction 2 can be given as

$$-\delta_2^{(i)} = \delta_{TT}^{(i)} \cos \theta - \delta_{TA}^{(i)} \sin \theta \quad (57)$$

Subsequently the strain components are calculated as

$$\epsilon_1 = \frac{\delta_1^{(1)} + \delta_1^{(2)}}{2L \cos \theta} \quad (58)$$

$$-\epsilon_2 = \frac{\delta_2^{(1)} + \delta_2^{(2)}}{2L(\beta + \sin \theta)} \quad (59)$$

Based on the definition of Young's modulus and Poisson's ratio, using the expressions of applied mechanical stress and strain components, we get the effective elastic properties as

$$E_1 = \frac{\sigma_1}{\epsilon_1} = \frac{2\sigma_1 L \cos \theta}{\delta_1^{(1)} + \delta_1^{(2)}} \quad (60)$$

$$\nu_{12} = \frac{-\epsilon_2}{\epsilon_1} = \frac{\cos \theta (\delta_2^{(1)} + \delta_2^{(2)})}{(\beta + \sin \theta) (\delta_1^{(1)} + \delta_1^{(2)})} \quad (61)$$

The above mentioned formulation is generic; by using equations (60) and (61),  $E_1$  and  $\nu_{12}$  can be obtained for all the cases mentioned in figure 3. The major difference in all these cases is due to the variation in the parameters  $A_m$ ,  $H_m$ ,  $I_m$ ,  $d$ ,  $F_m$  and  $M_m$ , which are different for different cases. Here, the dimensions for all magnetostrictive patches have been kept equal. However, the magneto-mechanical coupling coefficient is different for each beam. For deriving the numerical results later, the value of  $\frac{h}{L}$  i.e.  $\beta$  has been kept equal to 2.5 and 4 whereas, the value of  $\frac{T_s}{L}$  i.e.  $\gamma$  has been kept  $\sim 10^{-2}$ . The derived expressions are applicable for both horizontal and vertical magnetic fields. However, the effective values of  $H$  for each inclined unit cell under the influence of horizontal field and vertical magnetic field are  $H(\cos \theta - \sin \theta)$  and  $H(\sin \theta - \cos \theta)$  respectively (considering the components along and perpendicular to the beam lengths).

### 3.2. Transverse Young's modulus $E_2$ and Poisson's ratio $\nu_{21}$

Stress  $\sigma_2$  is applied in direction  $Y$  (or 2) to derive the transverse Young's modulus  $E_2$ , as shown in figure 5(b). The effective deformation of the unit cell is due to the combined effect of externally applied mechanical stress and magnetic field. It should be noted that as the loading is parallel to the vertical member, its axial deformation will contribute toward the overall displacement of the unit cell. Axial and transverse displacements in general form under the influence of externally applied mechanical stress in direction 2 can be given as

$$\delta_{ALW}^{(i)} = \frac{W^{(i)} L^2 \sin \theta K_{55}^{(i)}}{L^2 K_{44}^{(i)} K_{55}^{(i)} - 12(K_{46}^{(i)})^2} \quad (62)$$

$$\delta_{AVLW} = \frac{2W}{K_{44}^h} \quad (63)$$

$$\delta_{TLW}^{(i)} = \frac{W^{(i)} (L^2 \cos \theta K_{55}^{(i)} K_{44}^{(i)} - 6L \sin \theta K_{55}^{(i)} K_{46}^{(i)} - 12 \cos \theta (K_{46}^{(i)})^2)}{K_{55}^{(i)} (K_{44}^{(i)} K_{55}^{(i)} L^2 - 12(K_{46}^{(i)})^2)} \quad (64)$$

the above mentioned expressions can also be written as

$$\delta_{ALW}^{(i)} = \frac{W^{(i)} \sin \theta R_3^{(i)}}{Y_s^{(i)} \gamma W_s (R_1^{(i)} R_3^{(i)} - 3(R_2^{(i)})^2)} \quad (65)$$

$$\delta_{AVLW} = \frac{2W}{Y_s \gamma R_1 W_s} \quad (66)$$

here, the value of  $R_1$  is 1 as for the vertical member there is no magnetostrictive patch, i.e.  $\alpha_b$  and  $\alpha_t$  are zero.

$$\delta_{TLW}^{(i)} = \frac{W^{(i)}}{Y_s^{(i)} \gamma^3 W_s^{(i)} R_3^{(i)}} \times \left( \frac{\cos \theta R_1^{(i)} R_3^{(i)} + 3\gamma \sin \theta R_2^{(i)} R_3^{(i)} - 3 \cos \theta (R_2^{(i)})^2}{R_1^{(i)} R_3^{(i)} - 3(R_2^{(i)})^2} \right) \quad (67)$$

Axial and transverse displacements in general form under the influence of externally applied magnetic field can be given as

$$\delta_{AM}^{(i)} = \frac{(F_{a1}^{(i)} + F_{a2}^{(i)}) L^2 K_{55}^{(i)} - 12 (M_1^{(i)} + M_2^{(i)}) K_{46}^{(i)}}{K_{44}^{(i)} K_{55}^{(i)} L^2 - 12(K_{46}^{(i)})^2} \quad (68)$$

$$\delta_{TM}^{(i)} = 6L \left( \frac{(M_1^{(i)} + M_2^{(i)}) K_{44}^{(i)} - (F_{a1}^{(i)} + F_{a2}^{(i)}) K_{46}^{(i)}}{K_{44}^{(i)} K_{55}^{(i)} L^2 - 12(K_{46}^{(i)})^2} \right) \quad (69)$$

the above mentioned expressions can also be written as

$$\delta_{AM}^{(i)} = \frac{HLd_t^{(i)}}{2} \left( \frac{R_3^{(i)} R_4^{(i)} + 3R_2^{(i)} R_5^{(i)}}{R_1^{(i)} R_3^{(i)} - 3(R_2^{(i)})^2} \right) \quad (70)$$

$$\delta_{TM}^{(i)} = \frac{3HLd_t^{(i)}}{2\gamma} \left( \frac{R_1^{(i)} R_5^{(i)} + R_2^{(i)} R_4^{(i)}}{R_1^{(i)} R_3^{(i)} - 3(R_2^{(i)})^2} \right) \quad (71)$$

Total axial deflection under the combined loading of externally applied stress and magnetic field can be given as the sum of axial displacement due to applied magnetic field and externally applied stress

$$\delta_{TA}^{(i)} = \delta_{AM}^{(i)} + \delta_{ALW}^{(i)}. \quad (72)$$

Total transverse deflection under the combined loading of externally applied stress and magnetic field can be given as the sum of transverse displacement due to applied magnetic field and externally applied stress

$$\delta_{TT}^{(i)} = \delta_{TM}^{(i)} + \delta_{TLW}^{(i)} \quad (73)$$

$$\delta_2^{(i)} = \delta_{TT}^{(i)} \cos \theta + \delta_{TA}^{(i)} \sin \theta + \delta_{AVLW} \quad (74)$$

$$-\delta_1^{(i)} = \delta_{TT}^{(i)} \sin \theta - \delta_{TA}^{(i)} \cos \theta. \quad (75)$$

For all the cases the following deformation compatibility condition must be satisfied

$$\delta_2^{(1)} = \delta_2^{(2)} \quad (76)$$

where, 1, 2 stand for the left and right cell wall respectively. Further, from equilibrium we get

$$W = 2\sigma_2 L W_b \cos \theta = W_1 + W_2 \quad (77)$$

here,  $W_1$  and  $W_2$  can be obtained by solving equations (76) and (77). Moreover, the obtained expressions of  $W_1$  and  $W_2$  are different for different cases depending on the magnetostrictive and substrate beam properties.

Subsequently, the expressions of strain components can be obtained as

$$\epsilon_2 = \frac{\delta_2^{(1)} + \delta_2^{(2)}}{2L(\beta + \sin \theta)} \quad (78)$$

$$-\epsilon_1 = \frac{\delta_1^{(1)} + \delta_1^{(2)}}{2L \cos \theta}. \quad (79)$$

Based on the definition of Young's modulus and Poisson's ratio, using the expressions of global stress and strain components, we get

$$E_2 = \frac{\sigma_2}{\epsilon_2} = \frac{2\sigma_2 L(\beta + \sin \theta)}{\delta_2^{(1)} + \delta_2^{(2)}} \quad (80)$$

$$\nu_{21} = \frac{-\epsilon_1}{\epsilon_2} = \frac{(\delta_1^{(1)} + \delta_1^{(2)})(\beta + \sin \theta)}{\cos \theta (\delta_2^{(1)} + \delta_2^{(2)})}. \quad (81)$$

### 3.3. Remarks on unimorph and bimorph configurations

In this subsection, we present different possibilities for the placement of magnetostrictive patches in symmetric unimorph and bimorph configurations. It may be noted in this context that we have avoided the possibility of having asymmetric configurations here for the two slant members due to the additional complexity in derivation.

**3.3.1. Case 1: symmetric unimorph.** In this case, we have same material on the left and right cell wall of the unit cell. The magnetostrictive patch is present on the top surface of the substrate beam only. Hence, substituting the parameters as  $\alpha_b^1 = \alpha_b^2 = 0$ ,  $d_b^1 = d_b^2 = 0$ ,  $\alpha_t^1 = \alpha_t^2$ ,  $\kappa_t^1 = \kappa_t^2$ ,  $d_t^1 = d_t^2$  and  $Y_s^{(1)} = Y_s^{(2)} = Y_s$ , we get displacement of both the cell walls same i.e.  $\delta_1^{(1)}$  equals to  $\delta_1^{(2)}$ .

**3.3.2. Case 2: symmetric bimorph with same magnetostrictive patches.** In this case, we have the same material on the left and right cell wall of the unit cell. However, the material with same magnetostrictive coefficient has been used on the top and bottom surface of the substrate beam respectively, as shown in figures 3(a) and (d). Here, the parameters have been kept as  $\alpha_t^1 = \alpha_t^2 = \alpha_b^1 = \alpha_b^2$ ,  $\kappa_t^1 = \kappa_t^2 = \kappa_b^1 = \kappa_b^2$ ,  $d_t^1 = d_t^2$ ,  $d_b^1 = d_b^2$  and  $Y_s^{(1)} = Y_s^{(2)} = Y_s$  for both the cell walls (1 and 2), which make  $\delta_1$  equals to  $\delta_2$ . This case is only valid when the value of  $\lambda^{(1)}$ ,  $\lambda^{(2)}$  equals to 1 i.e. both top and bottom magnetostrictive patches are having same properties for both the slant beams. In this specific case, it can be observed that (when subjected to only externally applied magnetic field), only axial deformation of the slant members occurs.

**3.3.3. Case 3: symmetric bimorph with different magnetostrictive patches.** In this case, we have different magnetostrictive patches on the top and bottom of the substrate beam, the same combination has been used over the left and right cell wall of the unit cell as shown in figures 3(b) and (e). When the lattice is subjected to combined loading of externally applied stress and magnetic field both axial and transverse deformation of the cell wall will take place. Here, the parameters have been kept as  $\alpha_t^1 = \alpha_t^2 = \alpha_b^1 = \alpha_b^2$ ,  $\kappa_t^1 = \kappa_t^2 = \kappa_b^1 = \kappa_b^2$ ,  $d_t^1 = d_t^2$ ,  $d_b^1 = d_b^2$  and  $Y_s^{(1)} = Y_s^{(2)} = Y_s$  which makes  $\delta_1$  equals to  $\delta_2$ . There can be three scenarios when the value of  $\lambda^{(1)}$ ,  $\lambda^{(2)}$  has been kept (1) equal to  $-1$  (special case), (2) any other negative value, or (3) any other positive value except 1. Here, the negative value of  $\lambda^{(i)}$  signifies that the top and bottom magnetostrictive patches are having magnetostrictive coefficients of opposite sign, whereas for the positive  $\lambda^{(i)}$  values both top and bottom patches can either have negative magnetostrictive coefficient or positive magnetostrictive coefficient. In the first sub case (when subjected to only externally applied magnetic field), the axial displacement will be zero and only transverse displacement will occur; however, in the later cases both axial and transverse displacement can be observed, when only magnetic field is applied.

### 3.4. Lattice-level validation of the current formulation

The formulation derived above has been validated with the existing literature for different possible cases considering passive lattice forms. The elementary beam level active deformation physics is validated separately in section 2.3. Such bi-level validation provides adequate confidence in the proposed computational framework.



**3.4.1. Case 1: validation when axial deformation of the cell wall is neglected.** In this case, the cell walls have been assumed to be axially rigid. Moreover, there is no magnetostrictive patch on the substrate beam. In the derived expressions for the  $E_1$ ,  $\nu_{12}$ ,  $E_2$  and  $\nu_{21}$  substituting the value of the parameters as  $\delta_{ALP}^{(i)}$ ,  $\delta_{ALW}^{(i)}$ ,  $\gamma_s$ ,  $\alpha_b^{(i)}$ ,  $\alpha_t^{(i)}$ ,  $\kappa_b^{(i)}$ ,  $\kappa_t^{(i)}$ ,  $H$ ,  $d_t^{(i)}$  equals to zero and  $Y_s^{(i)} = Y_s$  in equations (60) and (61), equations (80) and (81) we get the following expressions given in equations (82) and (83), equations (84) and (85). These expressions exactly match with the formulae given by Gibson and Ashby (1999)

$$E_1 = \frac{Y_s \gamma^3 \cos \theta}{(\beta + \sin \theta) \sin^2 \theta} \quad (82)$$

$$\nu_{12} = \frac{\cos^2 \theta}{\sin \theta (\beta + \sin \theta)} \quad (83)$$

$$E_2 = \frac{Y_s \gamma^3 (\beta + \sin \theta)}{\cos^3 \theta}. \quad (84)$$

$$\nu_{21} = \frac{(\beta + \sin \theta) \sin \theta}{\cos^2 \theta}. \quad (85)$$

**3.4.2. Case 2: validation when axial deformation of the cell wall is considered.** The expressions presented by Adhikari et al (2021) for the effective elastic moduli has been derived by considering both axial and bending deformations, but only applicable to conventional passive lattices structures. To validate the current expressions, we put the value of  $\delta_{AM}^{(i)}$ ,  $\delta_{TM}^{(i)}$  (as no magnetostrictive patch),  $K_{46}^{(i)}$  (as the structure is symmetric) equals to zero and  $Y_s^{(i)} = Y_s$  in equations (60) and (61), equations (80) and (81) and the obtained expressions are given below in equations (86)–(89).

$$E_1 = \frac{K_{55} \cos \theta}{W_s (\beta + \sin \theta) \sin^2 \theta \left( 1 + \cot^2 \theta \frac{K_{55}}{K_{44}} \right)} \quad (86)$$

$$\nu_{12} = \frac{\cos^2 \theta \left( 1 - \frac{K_{55}}{K_{44}} \right)}{\sin \theta (\beta + \sin \theta) \left( 1 + \cot^2 \theta \frac{K_{55}}{K_{44}} \right)} \quad (87)$$

$$E_2 = \frac{K_{55} (\beta + \sin \theta)}{W_s \cos^3 \theta \left( 1 + 2 \sec^2 \theta \frac{K_{55}}{K_{44}^h} + \tan^2 \theta \frac{K_{55}}{K_{44}} \right)} \quad (88)$$

$$\nu_{21} = \frac{(\beta + \sin \theta) \sin \theta \left( 1 - \frac{K_{55}}{K_{44}} \right)}{\cos^2 \theta \left( 1 + 2 \sec^2 \theta \frac{K_{55}}{K_{44}^h} + \tan^2 \theta \frac{K_{55}}{K_{44}} \right)} \quad (89)$$

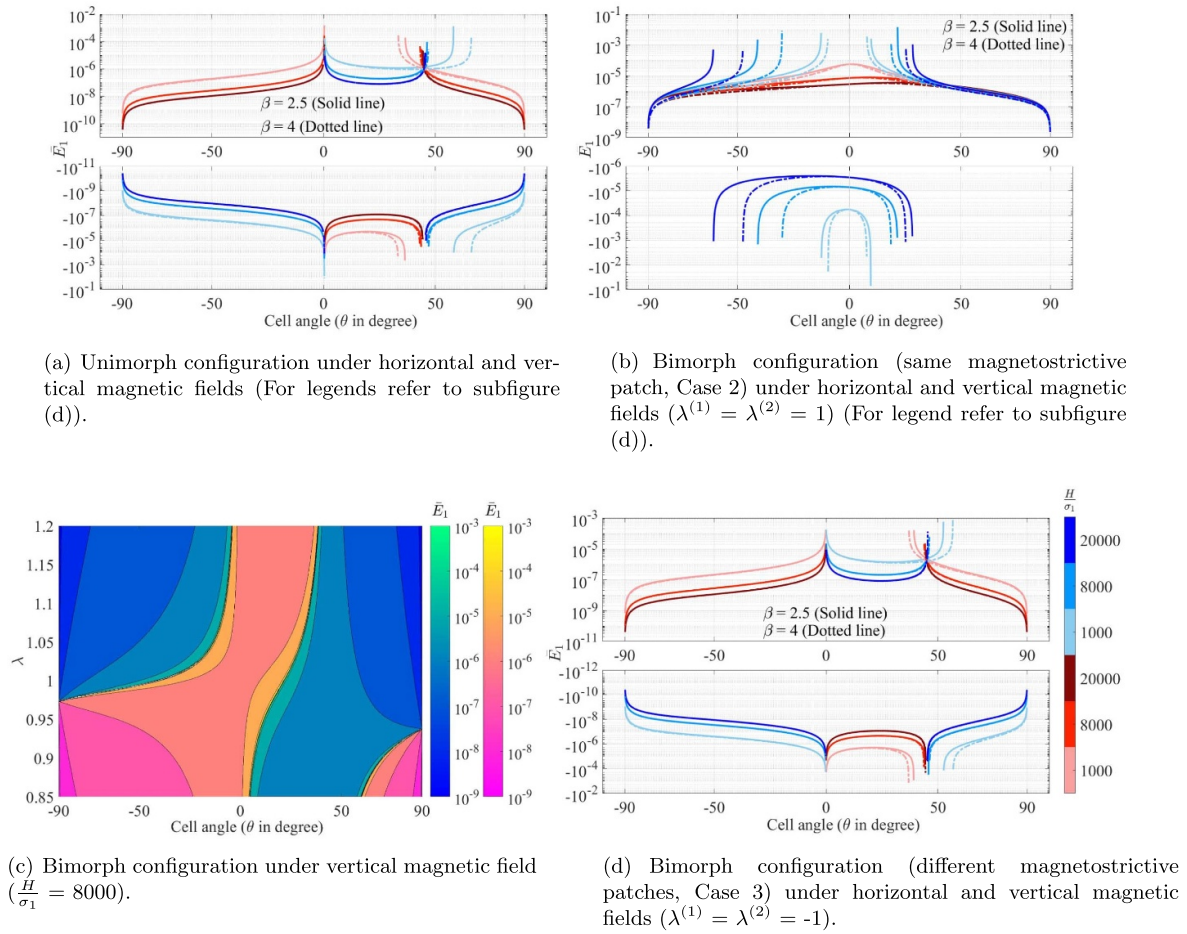
the above expressions exactly match with the formulae presented by Adhikari et al (2021), corroborating a lattice-level validation of the proposed computational framework.

## 4. Results and discussion

The formulation presented in the preceding sections is general, and it can be used for different configurations (unimorph or bimorph) along with different system parameters such as substrate material for the unit cell walls and properties of the magnetostrictive patches. However, for presenting numerical results here, the dimensions and the material property of the substrate beams have been kept the same. The realization of active variation in the effective elastic properties in a contactless manner has been reported here numerically for the first instance, which can be achieved under the combined influence of the externally applied mechanical stress and the magnetic field (refer to figures 6–9 of the main paper and figures 1–8 of the supplementary material). Note in figures 6–9(a), (b) and (d) that when we say that variation can be observed, it means that as the magnetic field is changed (color gradient changes; the change in the plots can be observed along the vertical direction in the colour bars). When we say that sign reversal is occurring, it means that at a specific combination of magnetic field and cell angle, the curve shifts from the top subplot (representing positive values) to the bottom subplot (representing negative values). The condition at which the sign reversal occurs can be obtained from equations (60) and (61), equations (80) and (81) by substituting the value of numerator or denominator  $\leq 0$  (mutually exclusive) and then finding the value of  $\frac{H}{\sigma_1}$  and  $\frac{H}{\sigma_2}$  for the respective cases. Different cases of magnetostrictive configurations are investigated here under vertical and horizontal magnetic fields, as discussed in the following paragraphs.

The variation in the  $\bar{E}_1$  for unimorph, bimorph (with same magnetostrictive patch) and bimorph (with different magnetostrictive patch) can be observed from figures 6(a), (b) and (d) (refer to case 1, case 2 and case 3 defined in section 3.3). In the unimorph case, when only magnetic field is applied, both axial and transverse displacements can be obtained whereas, in bimorph case 1, the value of transverse displacement and in case 2, the value of axial displacement under applied magnetic field become zero. This variation in the bimorph case can be obtained by keeping different values of  $\lambda$  (where,  $\lambda^{(i)} = \lambda$ ) (here 1 and  $-1$  for the individual cases). Figures 6(a) and (d) show that for unimorph and the bimorph case 2, when the horizontal magnetic field is applied, the sign reversal and variation in  $\bar{E}_1$  can be observed. However, in bimorph case 1, sign of  $\bar{E}_1$  is positive for the entire range of the cell angle, while the variation with the magnetic field is observed as  $\beta$  and  $\frac{H}{\sigma_1}$  vary. On the other hand, under the influence of the vertical magnetic field, the sign reversal and variation are observed for all the three cases for  $\bar{E}_1$ . It should be noted that in all the plots, the lines merge at one point when the cell angle is  $45^\circ$ . This is due to the fact that at this particular cell angle, the value of the vertical and the horizontal component of the applied magnetic field is equal. Hence, there is no effect of the magnetic field





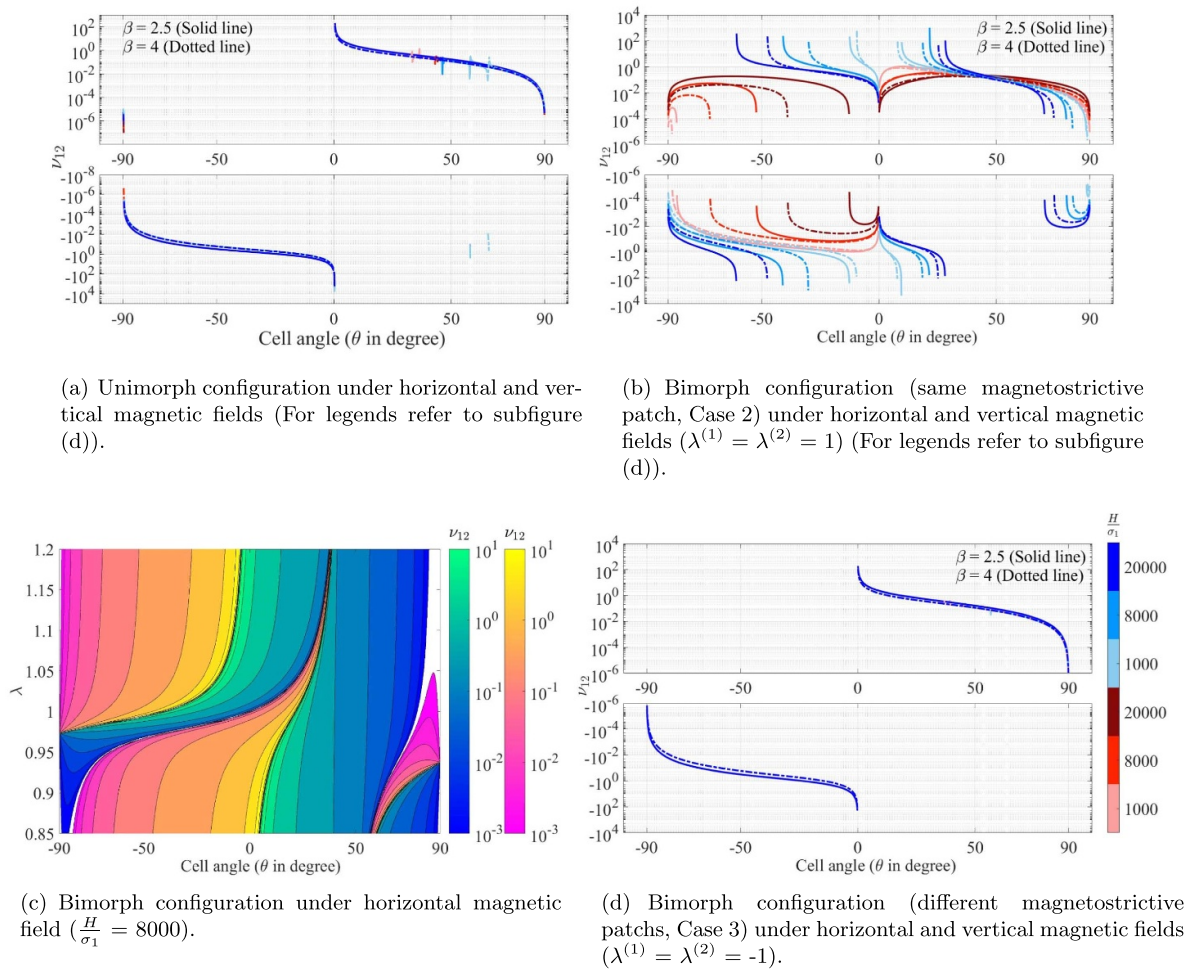
**Figure 6.** Active modulation of  $\bar{E}_1$ . Variation in  $\bar{E}_1$  with the change in magnetic field intensity to  $\sigma_1$  ratio  $\left(\frac{H}{\sigma_1}\right) \left(\frac{Am}{N}\right)$ . The legends for the unimorph and the bimorph configurations are same in all the plots i.e. the legends in subfigure (d) are applicable to the subfigures (a) and (b). The red and blue color in the legend (subfigure (d)) represent the magnetic field intensity to stress ratio in horizontal and vertical directions, respectively. The increase in the color gradient for the red and blue color signifies the increase in the magnetic field intensity to stress ratio. In the contour plot (subfigure (c)), the first and second color bars represent positive and negative Young's modulus, respectively. Different values of  $\beta$  is shown for unimorph configurations (refer to subfigure (a)) and bimorph configurations (refer to subfigures (b) and (d)). The upper and lower subplots in subfigures (a), (b) and (d) represent the positive and negative values of Young's modulus respectively as the cell angle changes. Sign reversal of Young's modulus is clearly visible as the cell angle and the magnetic field to stress ratio are varied. Contour plot subfigure (c) shows the variation in  $\bar{E}_1$  as the cell angle and  $\lambda$  (where,  $\lambda^{(i)} = \lambda$ ) vary at a constant  $\left(\frac{H}{\sigma_1}\right)$  ratio.

on the properties of the lattice structure. The contour plot in figure 6(c) shows the variation in  $\bar{E}_1$  as the  $\lambda$  and cell angle varies when the value of  $\frac{H}{\sigma_1}$  is kept constant (8000, magnetic field intensity in vertical direction). The value of  $\lambda$  helps in selecting the magnetostrictive patch with specific magnetostrictive coefficient for the top and the bottom surfaces, respectively, so as to obtain the desired set of properties. For a more comprehensive understanding, contour plots for different  $\frac{H}{\sigma_1}$  ratios (horizontal and vertical) have been presented in the supplementary material.

For the Poisson's ratio  $\nu_{12}$ , in unimorph configuration, there are some instances where the sign reversal can occur as  $\frac{H}{\sigma_1}$  ratio is varied, but the range of cell angle is small as shown in figure 7(a). However, the variation in  $\nu_{12}$  occurs as the value of  $\beta$  is varied. For the bimorph case 1, the scenario is completely

different as the sign reversal and variation in Poisson's ratio can be observed for the entire range of the cell angle as the  $\frac{H}{\sigma_1}$  ratio changes (refer to figure 7(b)). In the bimorph case 2, no significant variation in  $\nu_{12}$  can be observed as shown in figure 7(d). Contour plot shown in figure 7(c) shows the variation in  $\nu_{12}$  as the  $\lambda$  and cell angle vary when the value of  $\frac{H}{\sigma_1}$  is kept constant (8000, magnetic field intensity in horizontal direction). Figure 7(c) shows that in order to have negative Poisson's ratio when the cell angle is positive, the value of  $\lambda$  has to be less than 1.05. In the supplementary material, additional contour plots for different  $\frac{H}{\sigma_1}$  ratios (horizontal and vertical) have been presented.

The variation and sign reversal in the  $\bar{E}_2$  for unimorph and bimorph configurations can be observed from figures 8(a), (b) and (d) respectively. The variation and sign reversal in  $\bar{E}_2$



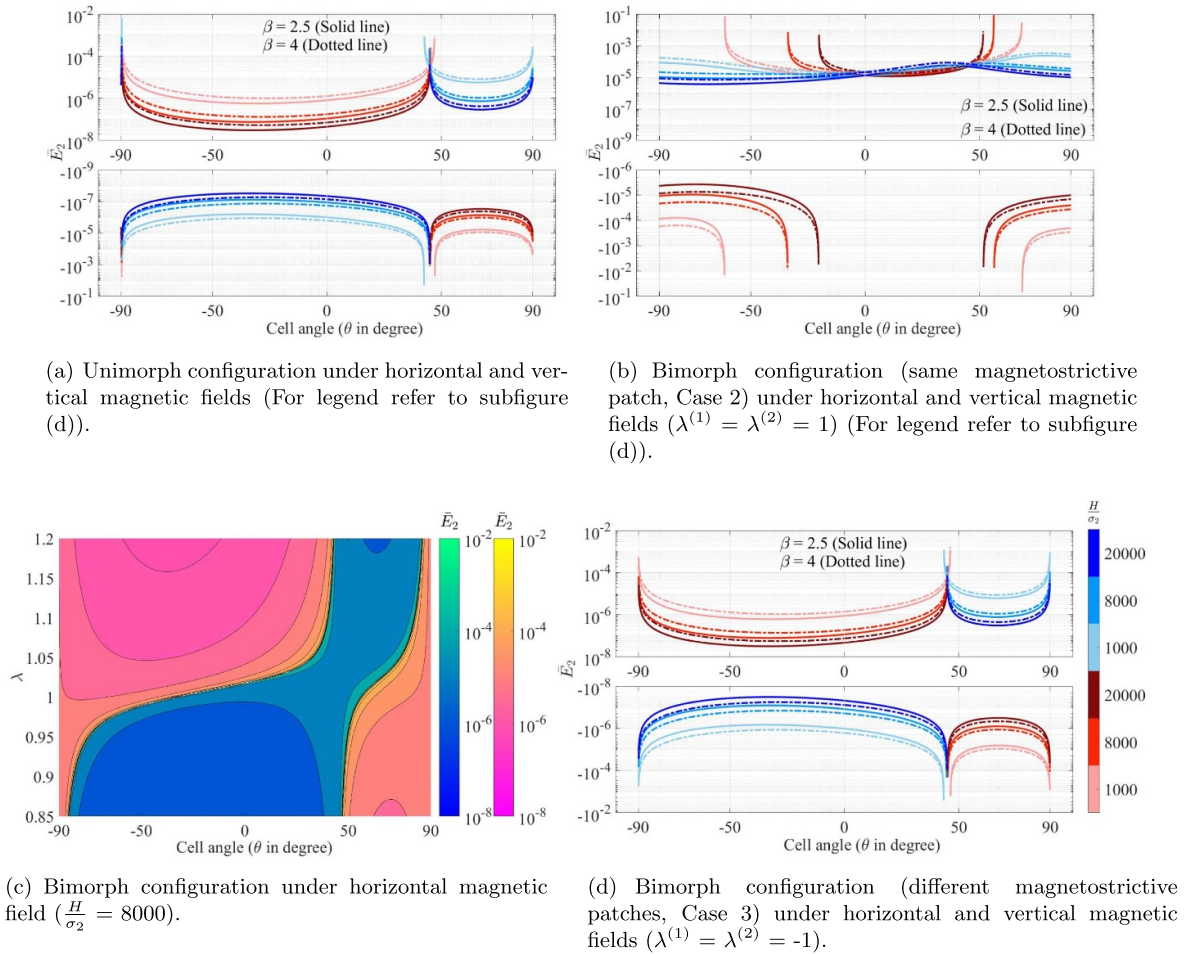
**Figure 7.** Active modulation of  $\nu_{12}$ . Variation in  $\nu_{12}$  with the change in externally applied magnetic field intensity to  $\sigma_1$  ratio  $\left(\frac{H}{\sigma_1}\right) \left(\frac{Am}{N}\right)$ . The legends for the unimorph and the bimorph configurations are same in all the plots i.e. the legends in subfigure (d) are applicable to the subfigures (a) and (b). The red and blue color in the legend (subfigure (d)) represent the magnetic field intensity to stress ratio in horizontal and vertical directions, respectively. The increase in the color gradient for the red and blue color signifies the increase in the magnetic field intensity to stress ratio. In the contour plot (subfigure (c)), the first and second color bars represent positive and negative Young's modulus, respectively. Different values of  $\beta$  is shown for unimorph (refer to subfigure (a)) and bimorph (refer to subfigures (b) and (d)) configurations. The upper and lower subplots in subfigures (a), (b) and (d) represent the positive and negative values of Poisson's ratio respectively with the change in the cell angle. Sign reversal is clearly visible as the cell angle and the magnetic field to stress ratio is varied. Contour plot (subfigure (c)) shows the variation in  $\nu_{12}$  as the cell angle and  $\lambda$  (where,  $\lambda^{(i)} = \lambda$ ) vary at a constant  $\left(\frac{H}{\sigma_1}\right)$  ratio.

can be observed in all the cases; however, for the bimorph case 1 under the influence of the vertical magnetic field, no sign reversal for  $\bar{E}_2$  has been observed. The contour plot in figure 8(c) shows the variation in  $\bar{E}_2$  as the  $\lambda$  and cell angle vary when the value of  $\frac{H}{\sigma_2}$  is kept constant (8000, magnetic field intensity in horizontal direction). In the supplementary material, additional contour plots for different  $\frac{H}{\sigma_2}$  ratios (horizontal and vertical) have been presented.

For  $\nu_{21}$ , no variation in unimorph and bimorph case 2 has been observed as the  $\frac{H}{\sigma_2}$  ratio changes (refer to figures 9(a) and (d)); however, the variation can be observed for different  $\beta$  values. For the bimorph case 1, both sign reversal and variation in Poisson's ratio can be observed under the influence

of both vertical and horizontal magnetic fields. The contour plot presented in figure 9(c) shows the variation in  $\nu_{21}$  as the  $\lambda$  and cell angle varies when the value of  $\frac{H}{\sigma_2}$  is kept constant (8000, magnetic field intensity in horizontal direction). In the supplementary material, additional contour plots for different  $\frac{H}{\sigma_2}$  ratios (horizontal and vertical) have been presented.

Figure 10 shows the graphical comparison (bar plot) for the Young's modulus ( $\bar{E}_1$  and  $\bar{E}_2$ ) and Poisson's ratio ( $\nu_{12}$  and  $\nu_{21}$ ), considering the bimorph case having same magnetostrictive patches. In each plot, three different sets of six bars represent three different cell angles ( $30^\circ$ ,  $60^\circ$  and  $-30^\circ$ ). The different color in the six bars shows the variation in the direction of the externally applied magnetic field to stress ratio, where the



**Figure 8.** Active modulation of  $\bar{E}_2$ . Variation in  $\bar{E}_2$  with the change in externally applied magnetic field intensity to  $\sigma_2$  ratio  $\left(\frac{H}{\sigma_2}\right) \left(\frac{Am}{N}\right)$ .

The legends for the unimorph and the bimorph configurations are same in all the plots i.e. the legends in subfigure (d) are applicable to the subfigures (a) and (b). The red and blue color in the legend (subfigure (d)) represent the magnetic field intensity to stress ratio in horizontal and vertical directions, respectively. The increase in the color gradient for the red and blue color signifies the increase in the magnetic field intensity to stress ratio. In the contour plot (subfigure (c)), the first and second color bars represent positive and negative Young's modulus, respectively. Different values of  $\beta$  is shown for unimorph (refer to subfigure (a)) and bimorph configurations (refer to subfigures (b) and (d)). The upper and lower subplots in subfigures (a), (b) and (d) represent the positive and negative values of Young's modulus respectively with the change in the cell angle. Sign reversal of Young's modulus is clearly visible as the cell angle and the magnetic field to stress ratio is varied. Contour plot (subfigure (c)) shows the variation in  $\bar{E}_2$  as the cell angle and  $\lambda$  (where,  $\lambda^{(i)} = \lambda$ ) vary at a constant  $\left(\frac{H}{\sigma_2}\right)$  ratio.

red and blue colors stand for horizontal and vertical direction respectively. The change in the magnitude of the externally applied magnetic field to stress ratio is shown by the variation in the gradient of the red and blue color. Figure 10 provides a clear quantitate perspective of the active modulation of elastic properties for different cell angles.

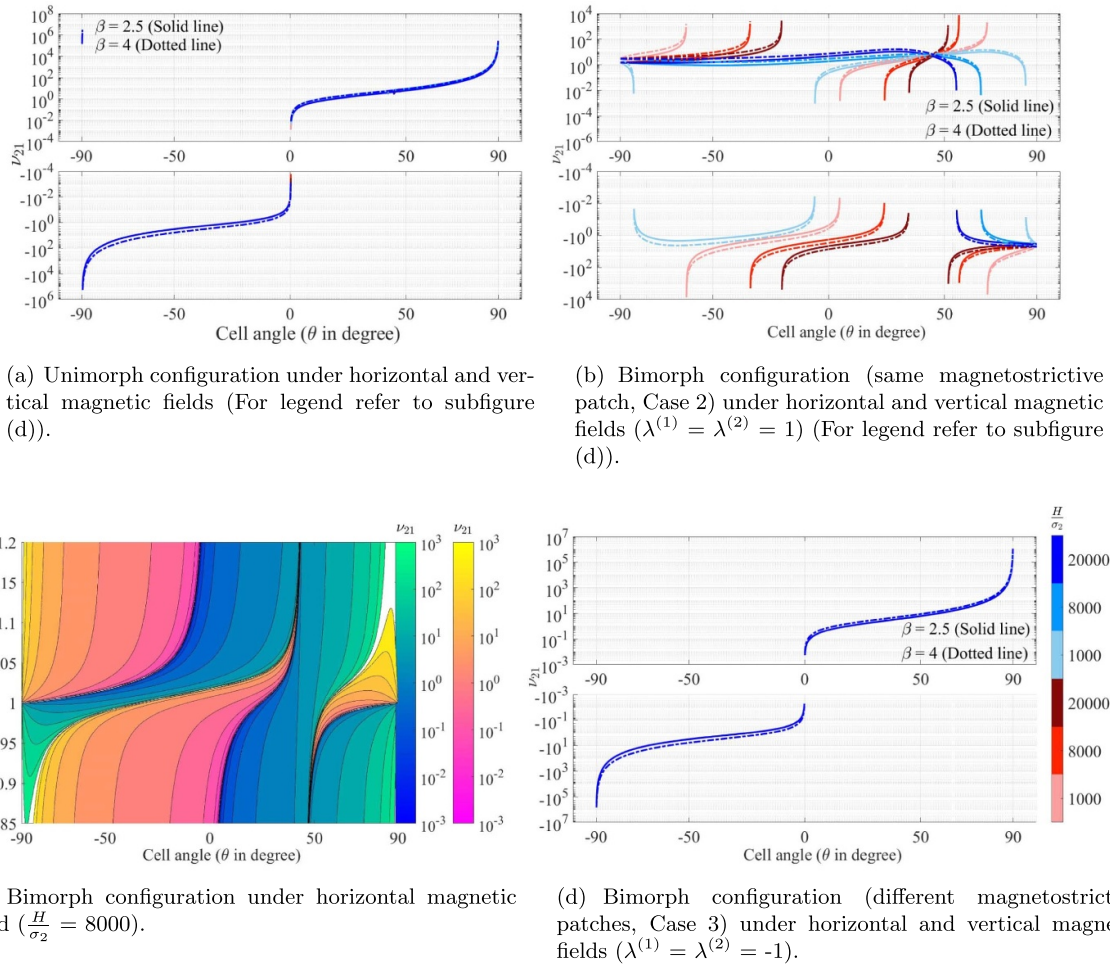
### 5. Summary

A computational framework to understand the active modulation of Young's modulus and Poisson's ratio in a contactless manner has been reported in this article. Conditions under which the variation and sign reversal can take place have been discussed through numerical results. The analytical

derivation and numerical results provide necessary physical insights and background for potential applications in various futuristic multi-functional structural systems and devices. The major outcomes and observations of the current investigation are summarized below.

- The current framework allows active on-demand modulation of the Elastic properties and Poisson's ratio in a contactless manner. Such controlled variation has been realized by changing the magnetic field intensity to stress ratio  $\frac{H}{\sigma_1}$ .
- The current formulation has been presented in a general form, and all sorts of possible parameters (unimorph, bimorph, identical magnetostrictive patches and dissimilar magnetostrictive patches) can be varied, which provides

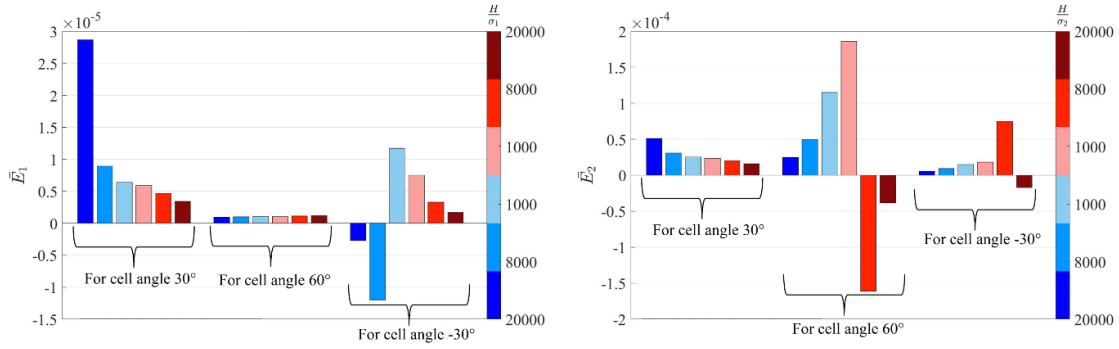




**Figure 9.** Active modulation of  $\nu_{21}$ . Variation in  $\nu_{21}$  with the change in externally applied magnetic field intensity to  $\sigma_2$  ratio  $\left(\frac{H}{\sigma_2}\right) \left(\frac{Am}{N}\right)$ . The legends for the unimorph and the bimorph configurations are same in all the plots i.e. the legends in subfigure (d) are applicable to the subfigures (a) and (b). The red and blue color in the legend (subfigure (d)) represent the magnetic field intensity to stress ratio in horizontal and vertical directions, respectively. The increase in the color gradient for the red and blue color signifies the increase in the magnetic field intensity to stress ratio. In the contour plot (subfigure (c)), the first and second color bars represent positive and negative Young's modulus, respectively. Different values of  $\beta$  is shown for unimorph (refer to subfigure (a)) and bimorph (refer to subfigures (b) and (d)) configurations. The upper and lower subplots in subfigures (a), (b) and (d) represent the positive and negative values of Poisson's ratio respectively with the change in the cell angle. Sign reversal is clearly visible as the cell angle and the magnetic field to stress ratio is varied. Contour plot (subfigure (c)) shows the variation in  $\nu_{21}$  as the cell angle and  $\lambda$  (where,  $\lambda^{(i)} = \lambda$ ) vary at a constant  $\left(\frac{H}{\sigma_2}\right)$  ratio.

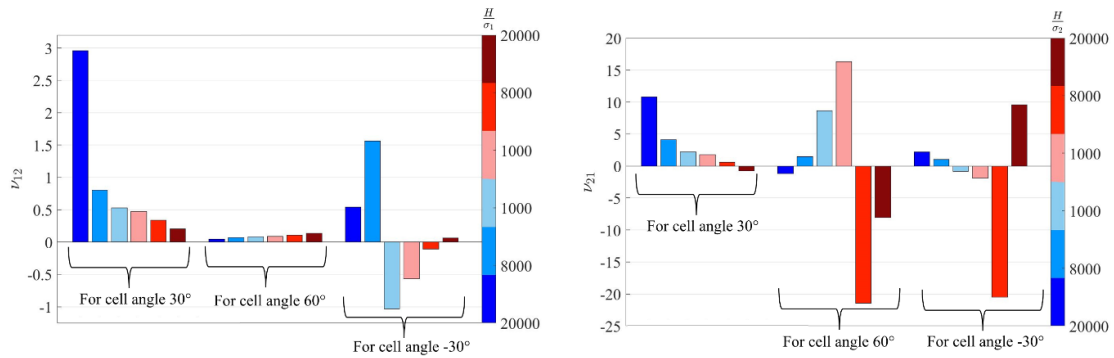
- flexibility in designing active lattice structures as per the requirement of the application.
- Besides achieving an on-demand control over the elastic properties it is possible to have extreme properties like negative effective Young's modulus, or auxetic behavior in structurally non-auxetic lattices and vice-versa.
  - The variation and sign reversal in  $\bar{E}_1$  and  $\bar{E}_2$  with the change in magnetic field intensity to stress ratio has been obtained for all the cases. However, in the bimorph case 1, the sign

- reversal is not observed in two scenarios:  $\bar{E}_1$  under horizontal magnetic field and  $\bar{E}_2$  under vertical magnetic field.
- The variation in  $\nu_{12}$  and  $\nu_{21}$  is possible only in the bimorph case 1 under both horizontal and vertical magnetic fields. However, for  $\nu_{12}$  in unimorph configuration, there exist some instances where sign reversal is possible, but the range is relatively small. Except these, there is no other scenario where the sign reversal or variation in Poisson's ratio is possible.



(a) Quantitative comparison for  $\bar{E}_1$  for different cell angles (30°, 60° and -30°) when magnetic field intensity is varied for each cell angle value.

(b) Quantitative comparison for  $\bar{E}_2$  for different cell angles (30°, 60° and -30°) when magnetic field intensity is varied for each cell angle value.



(c) Quantitative comparison for  $\nu_{12}$  for different cell angles (30°, 60° and -30°) when magnetic field intensity is varied for each cell angle value.

(d) Quantitative comparison for  $\nu_{21}$  for different cell angles (30°, 60° and -30°) when magnetic field intensity is varied for each cell angle value.

**Figure 10.** Quantitative comparison of elastic properties. The variation in the elastic properties ( $\bar{E}_1$ ,  $\bar{E}_2$ ,  $\nu_{12}$  and  $\nu_{21}$ ) as the direction and magnitude of the magnetic field intensity to stress ratio is varied. The red and blue color in the legends represent the magnetic field intensity to stress ratio in horizontal and vertical direction, respectively. The increase in the color gradient for the red and blue color signifies the increase in the magnetic field intensity to stress ratio. The values have been plotted for the bimorph case having same magnetostrictive patches (case 2) ( $\lambda^{(1)} = \lambda^{(2)} = 1$ ) and  $\beta = 2.5$ .

## 6. Conclusions and perspective

This article proposes a new class of magnetostrictive hybrid lattice metamaterial constructed using a passive substrate beam and active magnetostrictive patches. A contactless on-demand modulation of effective Young's modulus and Poisson's ratio can be achieved in such materials as a function of an external magnetic field. The hybrid design space in the proposed lattices includes conventional unit cell level microstructural geometry and the intrinsic material properties (passive parameters) along with the intensity and direction of the external magnetic field (active parameters). A bottom-up approach has been followed here to derive efficient analytical expressions of the effective elastic properties considering both axial and bending deformations. The proposed formulation is quite generic as it has been derived to consider different materials for the substrate beam and various configurations of the magnetostrictive patches along with unit cell level geometries. The obtained expressions hold good for unimorph and bimorph (with same and different magnetostrictive patches) configurations along with the horizontal and vertical directions of the magnetic field. A two-step validation approach

involving active beam-level deformation physics and unit cell level tessellations has been presented to garner adequate confidence in the developed computational framework.

The mechanical properties of conventional passive lattice materials are predominantly an intrinsic geometric function of the microstructural topology, wherein there is no possibility to alter the properties after manufacturing if the application requirement changes. The incorporation of magnetostrictive patches in the current proposition allows active modulation of elastic properties as per real-time demands. Further, the elastic properties can be controlled in a contactless manner through external magnetic fields, wherein it is not necessary to have any complex non-structural elements (such as circuits) within the metamaterial microstructure. The numerical results reveal that a wide range of active on-demand variations can be achieved in the Young's moduli and Poisson's ratios as a function of the applied magnetic field including extreme cases such as sign reversal (with negative effective Young's modulus and auxetic behavior in structurally non-auxetic lattices or vice-versa). For bimorph lattice structure having cell angle of 30°, in terms of absolute magnitude active variation of  $\approx 6$  times and  $\approx 3$  times have been observed in the longitudinal

and transverse Young's modulus respectively. For the  $\nu_{12}$  and  $\nu_{21}$  a variation of about  $\approx 15$  times have been observed, which necessarily means that the same material can behave both like a soft polymer or a stiff metal depending on the functional demands. The developed computational framework is directly adaptable to rectangular and rhombic lattices (by considering the cell angle and length of the vertical member as zero, respectively) and it can further be extended to other 2D and 3D lattices by considering appropriate unit cells. The proposed hybrid honeycomb lattice metamaterial can find a wide range of applications, such as actuator, active vibration control, programmed wave guiding by modulating the internal structure of the lattice, controlling energy harvesting, multi-directional stiffness control, energy absorption, soft robotics and shape morphing.

### Data availability statement

The data that support the findings of this study are available upon reasonable request from the authors.

### Acknowledgments

The authors acknowledge the financial support from Visvesvaraya PhD scheme, Media Lab Asia, Ministry of Electronics and Information Technology, Government of India, through a scholarship (Unique Awardee No. MEITY-PHD-888) and SPARC Project (MHRD/ME/2018544). T M would like to acknowledge the support received through the Science and Engineering Research Board, India (Grant No. SRG/2020/001398). S A acknowledges the support of the UK-India Education and Research Initiative through Grant No. UKIERI/P1212.

### Conflict of interest

The authors declare that they have no known competing financial interests or personal relationships that could have appeared to influence the work reported in this paper.

### ORCID iDs

A Singh  <https://orcid.org/0000-0001-6691-4874>  
 T Mukhopadhyay  <https://orcid.org/0000-0002-0778-6515>  
 S Adhikari  <https://orcid.org/0000-0003-4181-3457>  
 B Bhattacharya  <https://orcid.org/0000-0002-9621-5246>

### References

- Abd El-Sayed F, Jones R and Burgess I 1979 A theoretical approach to the deformation of honeycomb based composite materials *Composites* **10** 209–14
- Adhikari S, Mukhopadhyay T and Liu X 2021 Broadband dynamic elastic moduli of honeycomb lattice materials: a generalized analytical approach *Mech. Mater.* **157** 103796
- Adhikari S, Mukhopadhyay T, Shaw A and Lavery N 2020 Apparent negative values of Young's moduli of lattice materials under dynamic conditions *Int. J. Eng. Sci.* **150** 103231
- Amiri A, Masoumi A and Talebitooti R 2020 Flutter and bifurcation instability analysis of fluid-conveying micro-pipes sandwiched by magnetostrictive smart layers under thermal and magnetic field *Int. J. Mech. Mater. Des.* **16** 569–88
- Attard D and Grima J N 2011 Modelling of hexagonal honeycombs exhibiting zero Poisson's ratio *Phys. Status Solidi b* **248** 52–59
- Bacigalupo A and Gambarotta L 2020 Chiral two-dimensional periodic blocky materials with elastic interfaces: auxetic and acoustic properties *Extreme Mech. Lett.* **39** 100769
- Bandopadhyaya D, Bhattacharya B and Dutta A 2007 Modeling of hybrid damping scheme using smart magnetostrictive composites for flexible manipulator *J. Reinf. Plast. Compos.* **26** 861–80
- Bhattacharya B and Murty K 1996 Vibration suppression of slender composite beams using magnetostrictive actuation *J. Aeronaut. Soc. India* **48** 136–46
- Body C, Reyne G, Meunier G, Quandt E and Seemann K 1997 Application of magnetostrictive thin films for microdevices *IEEE Trans. Magn.* **33** 2163–6
- Bückmann T, Thiel M, Kadic M, Schittny R and Wegener M 2014 An elasto-mechanical unfeelability cloak made of pentamode metamaterials *Nat. Commun.* **5** 4130
- Chen Y, Zheng B B, Fu M H, Lan L H and Zhang W Z 2018 Doubly unusual 3D lattice honeycomb displaying simultaneous negative and zero Poisson's ratio properties *Smart Mater. Struct.* **27** 045003
- Chopra I and Sirohi J 2013 *Smart Structures Theory (Cambridge Aerospace Series)* (Cambridge: Cambridge University Press)
- Du Y, Keller T, Song C, Wu L and Xiong J 2021 Origami-inspired carbon fiber-reinforced composite sandwich materials—fabrication and mechanical behavior *Compos. Sci. Technol.* **205** 108667
- Dudek K K, Martínez J A I, Ulliac G and Kadic M 2022 Micro-scale auxetic hierarchical mechanical metamaterials for shape morphing *Adv. Mater.* **34** 2110115
- Evans K E 1991 Auxetic polymers: a new range of materials *Endeavour* **15** 170–4
- Fleck N A, Deshpande V S and Ashby M F 2010 Micro-architected materials: past, present and future *Proc. R. Soc. A* **466** 2495–516
- Gaal V, Rodrigues V, Dantas S O, Galvão D S and Fonseca A F 2020 New zero Poisson's ratio structures *Phys. Status Solidi* **14** 1900564
- Galea R, Dudek K K, Farrugia P S, Zammit Mangion L, Grima J N and Gatt R 2022 Reconfigurable magneto-mechanical metamaterials guided by magnetic fields *Compos. Struct.* **280** 114921
- Ghosh D P and Gopalakrishnan S 2005 Coupled analysis of composite laminate with embedded magnetostrictive patches *Smart Mater. Struct.* **14** 1462–73
- Ghuku S and Mukhopadhyay T 2022 Anti-curvature honeycomb lattices for mode-dependent enhancement of nonlinear elastic properties under large deformation *Int. J. Non-Linear Mech.* **140** 103887
- Gibson L and Ashby M F 1999 *Cellular Solids Structure and Properties* (Cambridge: Cambridge University Press)
- Gong X, Huang J, Scarpa F, Liu Y and Leng J 2015 Zero Poisson's ratio cellular structure for two-dimensional morphing applications *Compos. Struct.* **134** 384–92
- Grima J N, Caruana-Gauci R, Dudek M R, Wojciechowski K W and Gatt R 2013 Smart metamaterials with tunable auxetic and other properties *Smart Mater. Struct.* **22** 084016



- Grima J N, Jackson R, Alderson A and Evans K E 2000 Do zeolites have negative Poisson's ratios? *Adv. Mater.* **12** 1912–8
- Harkati E, Daoudi N, Bezazi A, Haddad A and Scarpa F 2017 In-plane elasticity of a multi re-entrant auxetic honeycomb *Compos. Struct.* **180** 130–9
- Huang J, Gong X, Zhang Q, Scarpa F, Liu Y and Leng J 2016 In-plane mechanics of a novel zero Poisson's ratio honeycomb core *Composites B* **89** 67–76
- Huang J, Zhang Q, Scarpa F, Liu Y and Leng J 2018 Multi-stiffness topology optimization of zero Poisson's ratio cellular structures *Composites B* **140** 35–43
- Huang W, Zhang Y, Xu Y, Xu X and Wang J 2021 Out-of-plane mechanical design of bi-directional hierarchical honeycombs *Composites B* **221** 109012
- Lakes R 1987 Foam structures with a negative Poisson's ratio *Science* **235** 1038–40
- Li X, Wang Q, Yang Z and Lu Z 2019 Novel auxetic structures with enhanced mechanical properties *Extreme Mech. Lett.* **27** 59–65
- Malek S and Gibson L 2015 Effective elastic properties of periodic hexagonal honeycombs *Mech. Mater.* **91** 226–40
- Mancusi G, Fabbrocino F, Feo L and Fraternali F 2017 Size effect and dynamic properties of 2D lattice materials *Composites B* **112** 235–42
- Masters I and Evans K 1996 Models for the elastic deformation of honeycombs *Compos. Struct.* **35** 403–22
- Montgomery S M, Wu S, Kuang X, Armstrong C D, Zemelka C, Ze Q, Zhang R, Zhao R and Qi H J 2021 Magneto-mechanical metamaterials with widely tunable mechanical properties and acoustic bandgaps *Adv. Funct. Mater.* **31** 2005319
- Mousanezhad D, Haghpanah B, Ghosh R, Hamouda A M, Nayeb-Hashemi H and Vaziri A 2016 Elastic properties of chiral, anti-chiral and hierarchical honeycombs: a simple energy-based approach *Theor. Appl. Mech. Lett.* **6** 81–96
- Mukhopadhyay T, Adhikari S and Alu A 2019 Theoretical limits for negative elastic moduli in subacoustic lattice materials *Phys. Rev. B* **99** 094108
- Mukhopadhyay T and Kundu D 2022 Mixed-mode multidirectional Poisson's ratio modulation in auxetic 3d lattice metamaterials *Adv. Eng. Mater.* **24** 2101183
- Mukhopadhyay T, Naskar S and Adhikari S 2020 Anisotropy tailoring in geometrically isotropic multi-material lattices *Extreme Mech. Lett.* **40** 100934
- Olympio K R and Gandhi F 2010 Zero Poisson's ratio cellular honeycombs for flex skins undergoing one-dimensional morphing *J. Intell. Mater. Syst. Struct.* **21** 1737–53
- Prajwal P, Ghuku S and Mukhopadhyay T 2022 Large-deformation mechanics of anti-curvature lattice materials for mode-dependent enhancement of non-linear shear modulus *Mech. Mater.* **171** 104337
- Qi C, Jiang F and Yang S 2021 Advanced honeycomb designs for improving mechanical properties: a review *Composites B* **227** 109393
- Quandt E and Seemann K 1995 Fabrication and simulation of magnetostrictive thin-film actuators *Sens. Actuators A* **50** 105–9
- Schenk M and Guest S D 2013 Geometry of Miura-folded metamaterials *Proc. Natl Acad. Sci. India* **110** 3276–81
- Shan S, Kang S H, Zhao Z, Fang L and Bertoldi K 2015 Design of planar isotropic negative Poisson's ratio structures *Extreme Mech. Lett.* **4** 96–102
- Sheikholeslami S, Aghdam M, Zappino E and Carrera E 2017 Application of refined beam elements to the coupled-field analysis of magnetostrictive microbeams *Composites B* **115** 14–20
- Si H M and Cho C 2004 Finite element modeling of magnetostriction for multilayered mems devices *J. Magn. Magn. Mater.* **270** 167–73
- Singh A, Mukhopadhyay T, Adhikari S and Bhattacharya B 2021 Voltage-dependent modulation of elastic moduli in lattice metamaterials: Emergence of a programmable state-transition capability *Int. J. Solids Struct.* **208–209** 31–48
- Singh A, Mukhopadhyay T, Adhikari S and Bhattacharya B 2022 Active multi-physical modulation of Poisson's ratios in composite piezoelectric lattices: on-demand sign reversal *Compos. Struct.* **280** 114857
- Song F, Zhou J, Xu X, Xu Y and Bai Y 2008 Effect of a negative Poisson ratio in the tension of ceramics *Phys. Rev. Lett.* **100** 245502
- Srivastava R and Bhattacharya B 2020 Thermoelastic and vibration response analysis of shape memory alloy reinforced active bimorph composites *Smart Mater. Struct.* **30** 015033
- Wang H, Zhao D, Jin Y, Wang M, Mukhopadhyay T and You Z 2020 Modulation of multi-directional auxeticity in hybrid origami metamaterials *Appl. Mater. Today* **20** 100715
- Wang Z 2019 Recent advances in novel metallic honeycomb structure *Composites B* **166** 731–41
- Wang Z, Lei Z, Li Z, Yuan K and Wang X 2021 Mechanical reinforcement mechanism of a hierarchical kagome honeycomb *Thin-Walled Struct.* **167** 108235
- Wei L, Zhao X, Yu Q and Zhu G 2020 A novel star auxetic honeycomb with enhanced in-plane crushing strength *Thin-Walled Struct.* **149** 106623
- Xu M, Zhao Z, Wang P, Duan S, Lei H and Fang D 2022 Mechanical performance of bio-inspired hierarchical honeycomb metamaterials *Int. J. Solids Struct.* **254–255** 111866
- Xu N, Liu H T, An M R and Wang L 2021 Novel 2D star-shaped honeycombs with enhanced effective Young's modulus and negative Poisson's ratio *Extreme Mech. Lett.* **43** 101164
- Xu Y and Shang X 2019 Vibration of magnetostrictive composite cantilever actuator *Mater. Res. Express* **6** 046105
- Zhan C, Li M, McCoy R, Zhao L and Lu W 2022 3D printed hierarchical re-entrant honeycombs: enhanced mechanical properties and the underlying deformation mechanisms *Compos. Struct.* **290** 115550
- Zhang J and Ashby M 1992 The out-of-plane properties of honeycombs *Int. J. Mech. Sci.* **34** 475–89
- Zhang Y, Qiu X and Fang D 2008 Mechanical properties of two novel planar lattice structures *Int. J. Solids Struct.* **45** 3751–68
- Zhang Y, Xu X, Fang J, Huang W and Wang J 2022 Load characteristics of triangular honeycomb structures with self-similar hierarchical features *Eng. Struct.* **257** 114114